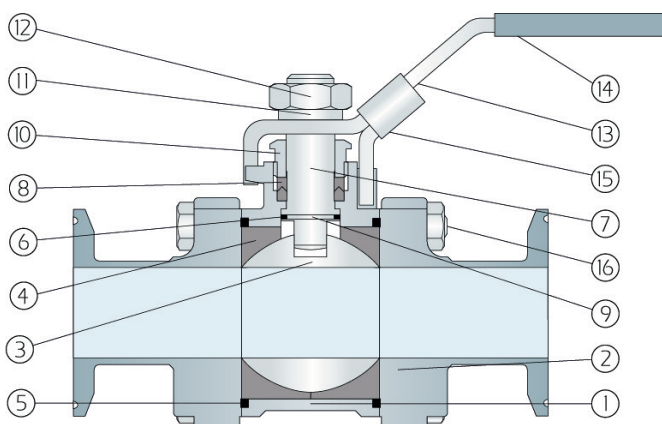
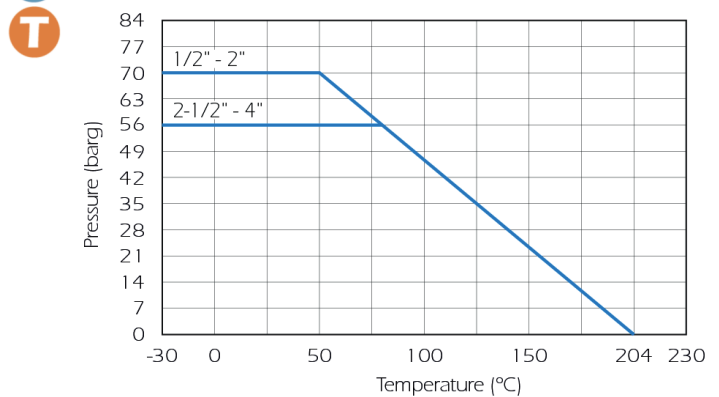




The 50SN is an inexpensive 3-piece stainless steel ball valve ideally suited to gas and liquid applications. Standard seats are FDA compliant cavity filled PTFE with alternative materials also available. Valves are offered with ASME BPE clamp, short weld stubs or mixed end connections. A locking handle feature is standard on all valves.



### **P** Pressure & Temperature



### **L** Connections

1/2" - 4" ASME BPE clamp  
1/2" - 4" weld ends

### **S** Seat and Seal Materials

Seats - Cavity filled PTFE  
Stem and body seals - PTFE

### **W** Surface Finish

Wetted surfaces - 0.5 microns Ra  
External surfaces - as cast

### **✓** Options

Alternative seat/seal materials - RPTFE, TFM & UHMW/PE

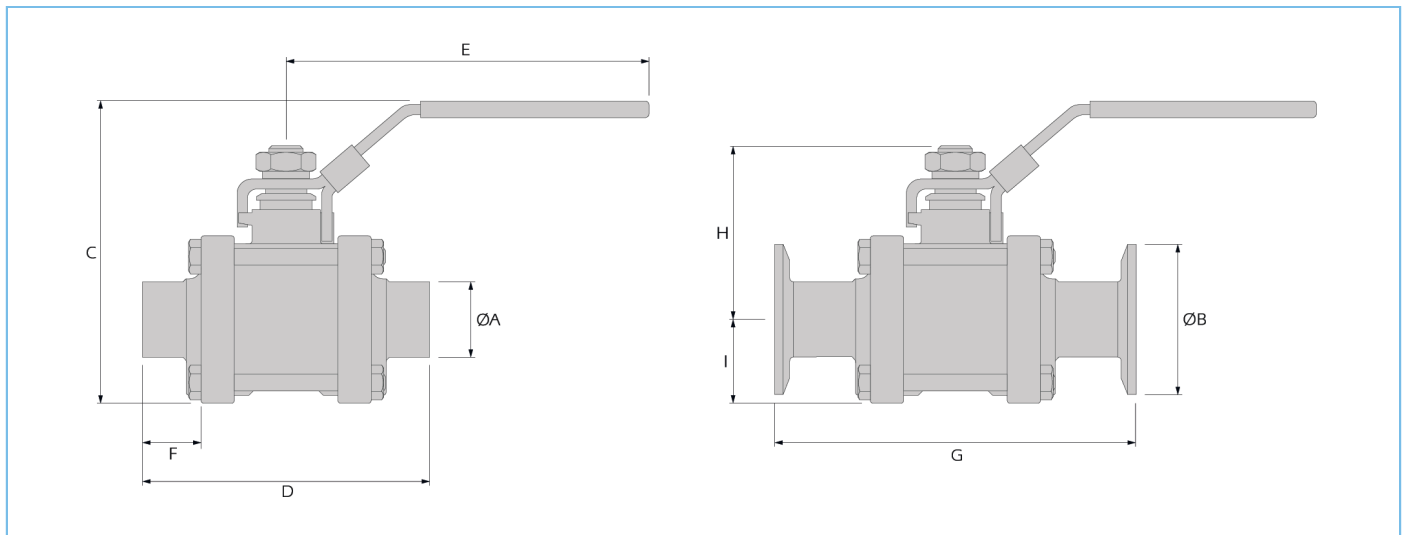
### **C** Available Certification

**CofC** Certificate of Conformity

**MTR's** Material Certification

**FDA** FDA Elastomer compliance certificates

Part	Description
1	Body 316 stainless steel (CF8M)
2	End cap - Clamp 316 stainless steel (CF8M)
2	End cap - Weld 316L stainless steel (CF3M)
3	Ball 316 stainless steel
4	Seat PTFE
5	Body seal PTFE
6	Stem seal PTFE
7	Stem 316 stainless steel
8	Gland packing PTFE
9	Gland nut 304 stainless steel
10	Stem washer 304 stainless steel
11	Stem nut 304 stainless steel
12	Handle 304 stainless steel
13	Handle sleeve Vinyl
14	Locking device 304 stainless steel
15	Bolt & nut 304 stainless steel



Size	Dimensions(mm)										Weight(Kg)	
	ØA	ØB	C	D	E	F	G	H	I	Clamp	Tube	
1/2"	12.7	25	87	66	132	12.5	89	43	23	0.6	0.6	
3/4"	19.0	25	92	75	132	12.5	102	46	25	0.8	0.8	
1"	25.4	50.5	103	94	167	19	115	57	28	1.2	1.1	
1-1/2"	38.1	50.5	129	115	192	19	140	71	39	2.6	2.5	
2"	50.8	64	146	128	192	19	159	78	48	3.9	3.8	
2-1/2"	63.5	77.5	195	160	252	21	174	113	58	8	8	
3"	76.2	91	215	176	252	23.5	193	117	68	11	11	
4"	101.6	119	271	210	282	25.5	226	114	96	19	19	



**Packaging**

Individually capped & bagged



**Service Parts**

Seal kit comprising parts 4, 5, 6 & 8



**Specification**

See product selector sheet for specification & ordering detail

**Staitech**

Staitech Ltd • PO Box 152 • Stroud  
Glos • GL6 8YT • UK

Tel: +44 (0) 1453 882736 • Fax: +44 (0) 1453 882744  
Email: sales@staitech.com • Web: www.staitech.com

Specifications subject to change without notice. 50SN-TB - 11/12