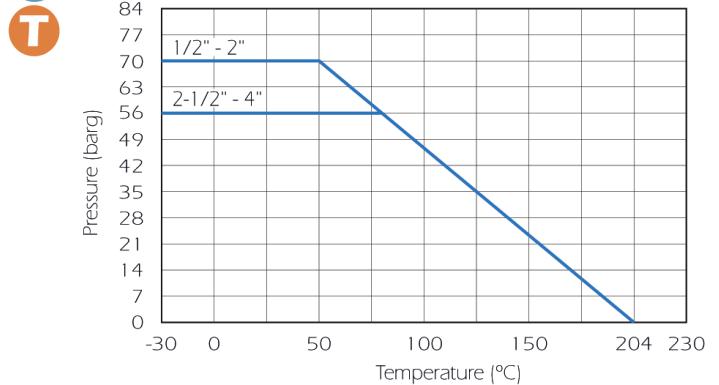




The 77SN is an ATEX rated 3-piece stainless steel ball valve ideally suited to gas and liquid applications. Standard seats are FDA compliant cavity filled PTFE with alternative materials also available. The 77SN has live-loaded stem packing to ensure optimum sealing, even during repeated stem cycling typically associated with actuation. Valves are offered with ASME BPE clamp, short weld stubs or mixed end connections. All sizes of 77SN have an ISO mounting pad to allow direct actuator mounting. A lockable handle is standard on valve sizes.

P Pressure & Temperature



I Connections

1/2" - 4" ASME BPE Clamp
1/2" - 4" Weld ends

S Seat & Seal Materials

Seats - Cavity filled PTFE
Stem and body seals - PTFE

Surface Finish

Wetted surfaces - 0.5 microns Ra
External surfaces - as cast

Options

Alternative seat/seal materials - RPTFE, TFM & UHMWPE
Handle stem extension

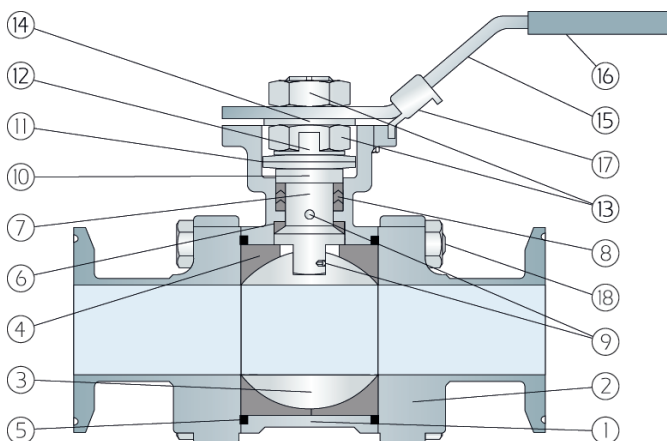
C Available Certification

CofC Certificate of Conformity

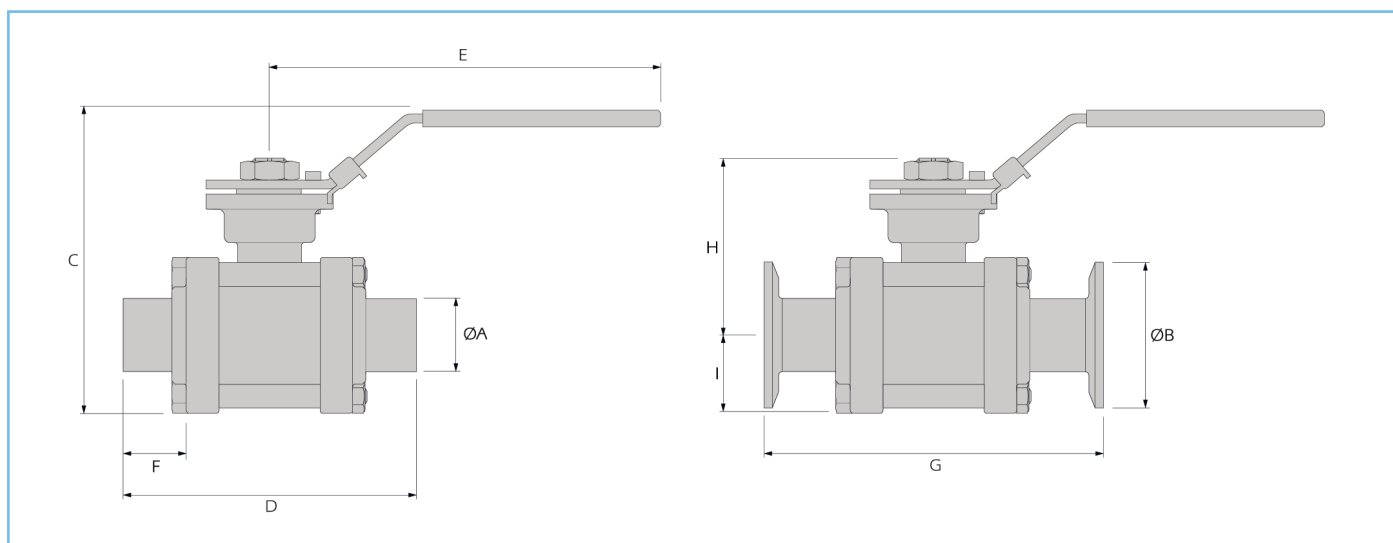
MTR's Material Certification



FDA FDA Elastomer compliance certificates

EXATEX ATEX zone compliance certification



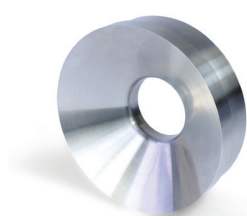
Part	Description
1	Body 316 stainless steel (CF8M)
2	End cap 316L stainless steel (CF3M)
3	Ball 316 stainless steel
4	Seat PTFE
5	Body seal PTFE
6	Thrust washer PTFE
7	Stem 316 stainless steel
8	Gland packing PTFE
9	Earthing ball 316 stainless steel
10	Gland bush 304 stainless steel
11	Belleville washer 301 stainless steel
12	Lock washer 304 stainless steel
13	Stem nut 304 stainless steel
14	Stem washer 304 stainless steel
15	Locking device 304 stainless steel
16	Handle 304 stainless steel
17	Handle sleeve Vinyl
18	Bolt & nut 304 stainless steel



	Size	Dimensions(mm)									Mount	Weight(Kg)	
		ØA	ØB	C	D	E	F	G	H	I		Clamp	Tube
	1/2"	12.7	25	100	66	139	12.5	89	49	23	F03/04	0.8	0.8
	3/4"	19.0	25	108	75	139	12.5	102	55	25	F03/04	0.9	0.9
	1"	25.4	50.5	124	94	165	19	115	68	28	F04/05	1.5	1.4
	1-1/2"	38.1	50.5	166	115	215	19	140	92	39	F05/07	3.3	3.1
	2"	50.8	64	182	128	215	19	159	100	48	F05/07	4.6	4.4
	2-1/2"	63.5	77.5	225	160	300	21	174	126	58	F07/10	9.5	9.2
	3"	76.2	91	244	176	370	23.5	193	136	68	F07/10	13	13
	4"	101.6	119	288	210	370	23.5	226	150	96	F07/10	20	20



Tank Outlet Pads



The 77SN can be supplied with a tank outlet pad on one side for direct welding in to a process vessel or storage tank. The pad thickness and profile can be tailored to match individual vessel or tank designs. Further information covering the 77SN range of tank outlet pads is available upon request.



Packaging

Individually capped & bagged



Service Parts

Seal kit comprising parts 4, 5, 6 & 8



Specification

See product selector sheet for specification & ordering detail

Staitech

Staitech Ltd • PO Box 152 • Stroud
Glos • GL6 8YT • UK

Tel: +44 (0) 1453 882736 • Fax: +44 (0) 1453 882744
Email: sales@staitech.com • Web: www.staitech.com

Specifications subject to change without notice. 77SN-TB-07/14