



Manual valves

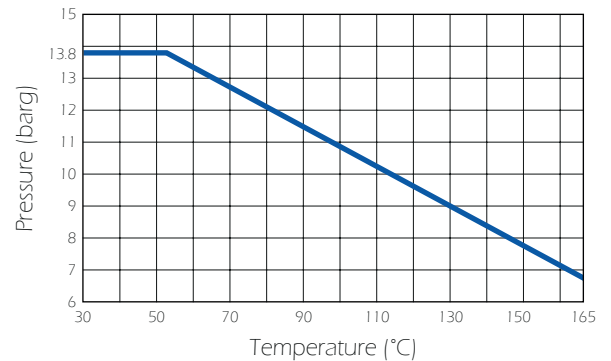
The Bio-Tek is a light weight valve frequently used for sampling and low flow applications. Valves are available in 1/4", 3/8" and 1/2" sizes with ASME BPE clamp or weld end connections. Diaphragms are available in EPDM and PTFE materials, both of which are FDA and USP compliant.



Actuated valves

In addition to manual valves, the Bio-Tek range is also offered fitted with ITT's Advantage pneumatic actuator. Further options to include solenoids and switch boxes are also available.

P Pressure



T Temperature

EPDM diaphragm
 -20°C to 90°C for liquid applications
 140°C for continuous steam
 150°C for intermittent steam
 TME diaphragm
 -20°C to 165°C for all media

C Connections

1/4" - 1/2" ASME BPE clamp
 1/4" - 1/2" ASME BPE weld ends

D Diaphragm Material

EPDM
 TME PTFE with EPDM backing cushion

S Surface Finish

Wetted surfaces - 0.5 microns Ra
 External surfaces - as forged finish

✓ Options

Larger sizes - Pure-Flo series
 Enhanced surface finishes and electropolishing
 ATEX certified valves
 Block body valve configurations

C Available Certification

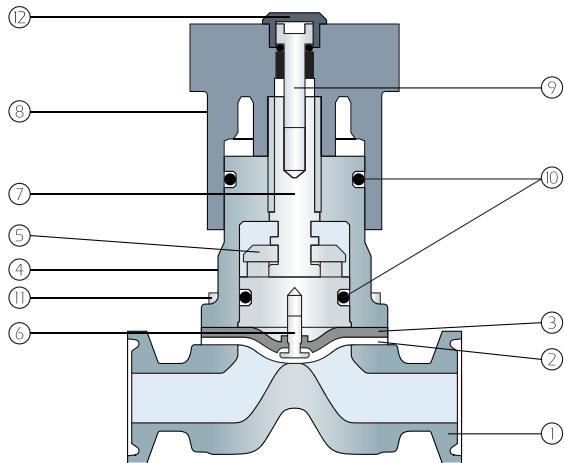
- CofC** Certificate of Conformity
- MTR's** Material Certification
- FDA** FDA Elastomer compliance certificates
- USP** USP Elastomer compliance certificates
- ADI** Certified 'Animal Derived Ingredient' free

🤝 Supplier Partner

Staitech are a nominated partner of ITT Pure-Flo, stocking and distributing the company's extensive range of high purity diaphragm valves. For further information on the ITT Pure-Flo range visit the Staitech website or www.ittpureflo.com

Bio-Tek Series

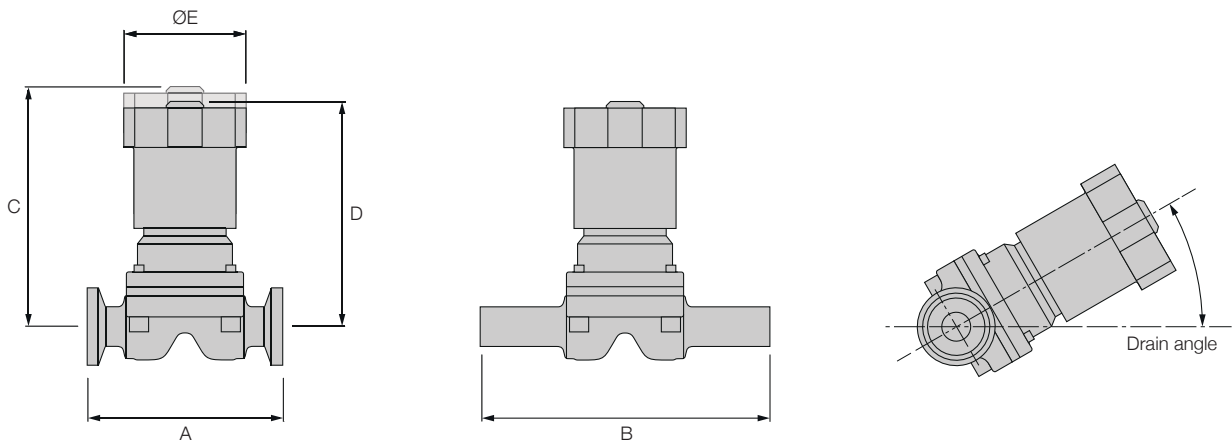
Diaphragm valve



Part	Description	
1	Body	316L stainless steel
2	Diaphragm	EPDM or TME PTFE
3	Backing cushion*	EPDM
4	Bonnet	316L stainless steel
5	Compressor	316L stainless steel
6	Stud	Brass
7	Spindle	316L stainless steel
8	Handwheel	PAS (Polyarylsulphone)
9	Travel stop screw	Stainless steel
10	O-ring	Viton
11	Body fasteners	Stainless steel
12	Plug	Plastic

*Only used with TME diaphragm

Bio-Tek valve



	Size	Dimensions (mm)					Kv rating (m ³ /h)	Drain angle	Weight (kg)
	ASME BPE	A	B	C	D	ØE			
	1/4"	64	89	76.5	73.5	41	0.76	30°	0.25
	3/8"	64	89	76.5	73.5	41	1.63	30°	0.25
	1/2"	64	89	76.5	73.5	41	2.58	30°	0.25



Packaging

Individually capped and bagged



Service Parts

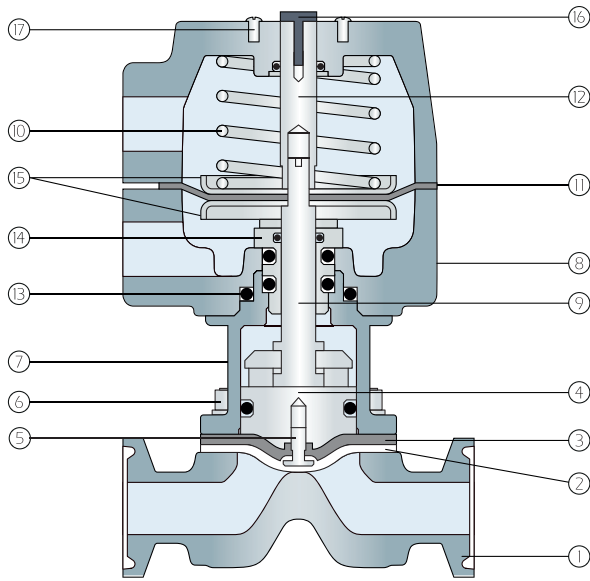
EPDM diaphragm part 2

TME diaphragm with backing cushion parts 2 and 3

Actuator refurbishment available by factory

Bio-Tek Series

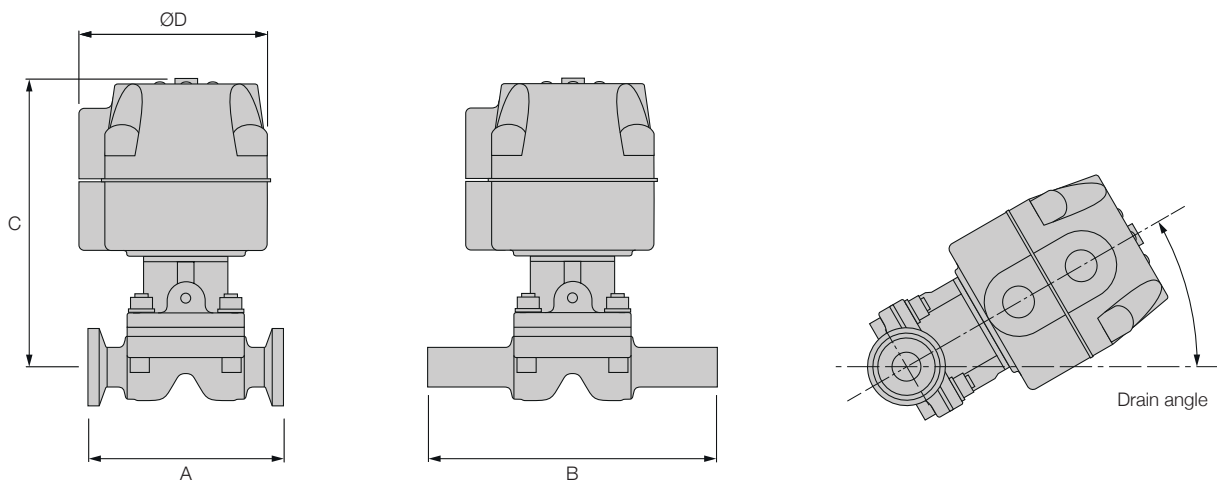
Diaphragm valve



Part	Description
1	Body 316L stainless steel
2	Diaphragm EPDM or TME PTFE
3	Backing cushion* EPDM
4	Compressor 316L stainless steel
5	Stud Brass
6	Body fasteners Stainless steel
7	Bonnet 316L stainless steel
8	Actuator body PAS (Polyarylsulphone)
9	Spindle 316L stainless steel
10	Spring Steel
11	Diaphragm Buna-N
12	Upper spindle 316L stainless steel
13	O-ring (All positions) Viton
14	Bush Brass
15	Spring plate Stainless steel
16	Plug Plastic
17	Switch box mounting screws Stainless steel
18	Housing screws (not illustrated) Stainless steel
19	Housing screw caps (not illustrated) Rubber

*Only used with TME diaphragm

Bio-Tek valve with Advanage Actuator



	Size	Actuator model	Dimensions (mm)				Drain angle	Weight (kg)
	ASME BPE		A	B	C	ØD		
	1/4"	Advantage B204	64	89	115	74	30°	0.5
	3/8"	Advantage B204	64	89	115	74	30°	0.5
	1/2"	Advantage B204	64	89	115	74	30°	0.5



Operation

Spring return - fail open or fail close

Double acting

Air pressure required to operate fail closed actuator - 6.2 barg

Fail closed actuator will shut against 10.3 barg line pressure

Consult Staitech for air pressure requirements for fail open and double acting actuators



Options

Switches

Solenoids

Staitech

Staitech Ltd · PO Box 152 · Stroud
Glos · GL6 8YT · UK

Tel: +44 (0) 1543 882736 · Fax: +44 (0) 1543 882744

E-mail: sales@staitech.com · Web: www.staitech.com

Specifications subject to change without notice. BIO-TEK-TB - 06/15