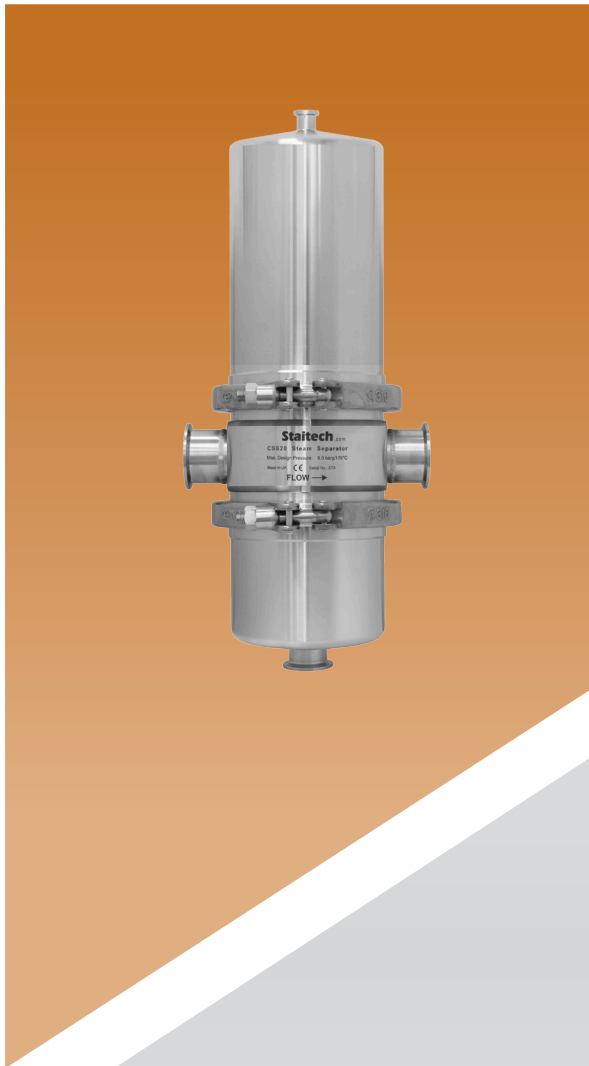
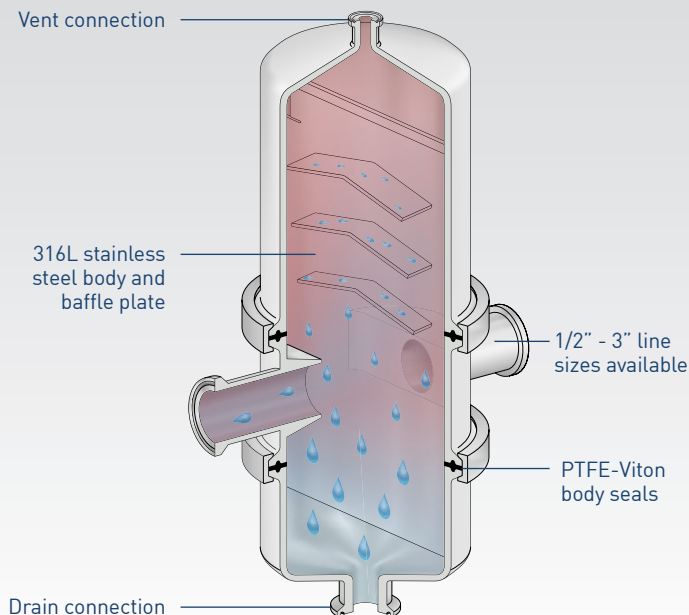


CSS20RB STEAM SEPARATOR

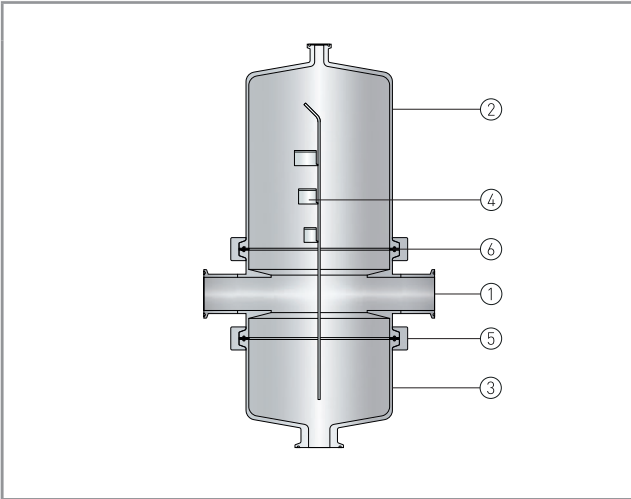


CSS20RB The CSS20RB steam separator offers a simple and effective means of conditioning steam over a wide range of pressure and flow conditions. Utilising an internal baffle plate with a series of vanes, moisture in the supply is forced out of the flow stream and discharged through the lower drain connection. The CSS20RB is manufactured entirely of 316L stainless steel and has a removeable baffle plate to allow cleaning and inspection. Available in sizes 1/2" - 3", the CSS20RB is supplied with ASME BPE compliant clamp connections. A drain and vent connection are standard on all models.

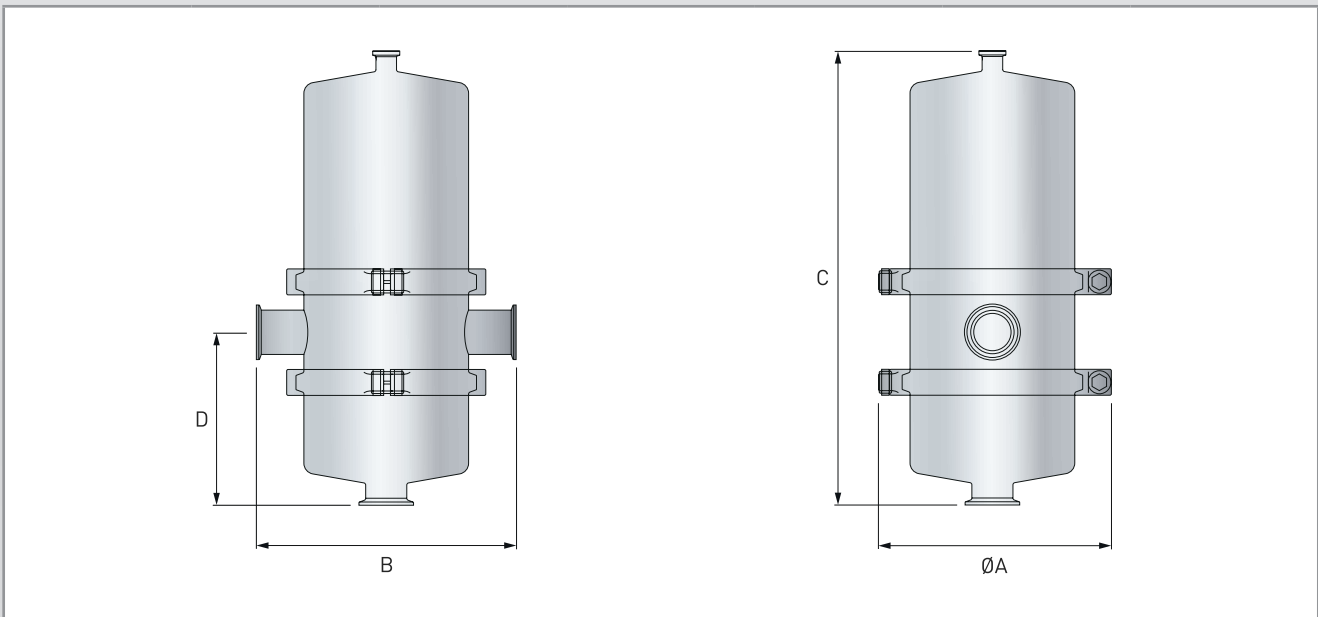
P Pressure Rating	Up to 8 barg
T Temperature Rating	175°C
Connections	1/2", 3/4", 1", 1-1/2", 2", 2-1/2", 3"
Materials	Wetted parts - 316L stainless steel Clamps - 316 stainless steel Gaskets - PTFE-Viton
Surface Finish	Wetted surfaces - 0.5 microns Ra External surfaces - satin finish
Technical Specification	The CSS20RB range is designed and manufactured in compliance with the European Pressure Equipment Directive and where relevant, ASME BPE guidelines
Options	Weld end connections Electropolished finish
C Certification	Certificate of Conformity Material Certification FDA Elastomer compliance certificates USP Elastomer compliance certificates Certified 'Animal Derived Ingredient' free



CSS20RB STEAM SEPARATOR



Part	Description	
1	Body	316L stainless steel
2	Upper chamber	316L stainless steel
3	Lower chamber	316L stainless steel
4	Baffle plate	316L stainless steel
5	Clamps	316 stainless steel
6	Gaskets	PTFE-Viton



Line size ASME BPE	Drain size ASME BPE	ØA	Dimensions (mm)			Weight (kg)
			B	C	D	
1/2"	1/2"	102	147	296	126	5
3/4"	3/4"	102	147	296	126	5
1"	3/4"	102	147	296	126	6
1-1/2"	1"	152	240	420	160	8.5
2"	1"	152	240	525	200	10
2-1/2"	1"	152	240	565	220	12
3"	1"	152	240	650	250	14

Service Parts - Gasket kit comprising of part 6