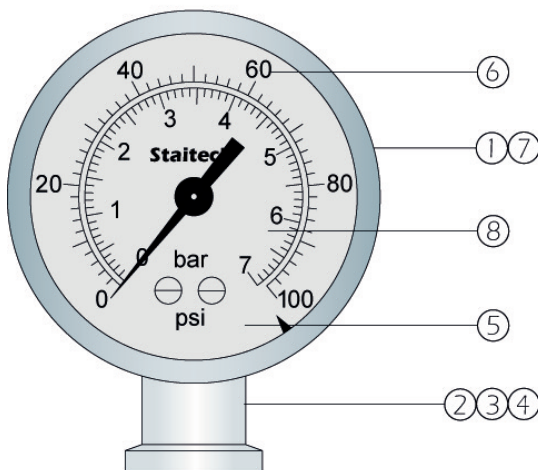




The 4601 DS DN63 gauge has a 3/4" ASME BPE compatible clamp fitted with fully welded diaphragm seal. It is designed to be autoclavable at temperatures up to 125°C. The gauge employs a temperature compensating system which ensures high accuracy is guaranteed over a wide range of operating temperatures.



Part	Description
1 Case	304 stainless steel
2 Boss	316L stainless steel
3 Diaphragm assembly	316L stainless steel
4 System fill	Glycerine
5 Movement	Stainless steel
6 Lens	Laminated safety glass
7 Vent plug	Rubber
8 Case fill	Glycerine or dry



### Pressure Rating

Steady - full scale range  
Fluctuating - 90% of full scale range  
Short Period - 130% of full scale range



### Temperature Rating

Medium temperature - 150°C  
Autoclaving temperature - 125°C



### Connection

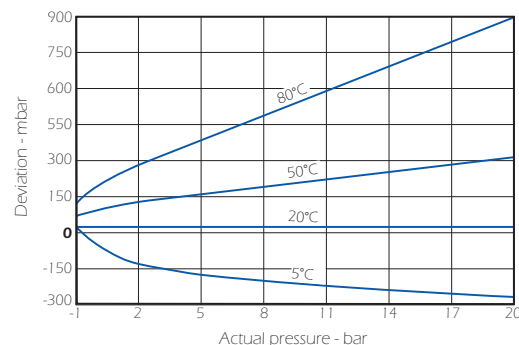
Bottom entry with 3/4" ASME BPE clamp



### Design Parameters

Accuracy class - 1.6

### Affect of medium temperature on gauge reading



### Standard Pressure Ranges

-1-0-3, -1-0-4, 0-4, 0-7, 0-11



### Surface finish

Wetted surfaces - 0.5 microns Ra and electropolished  
Case - 0.8 microns Ra and electropolished



### Options

Back entry connection



### Available Certification

**MTR's** Material Certification

**FDA** FDA Elastomer compliance certificates

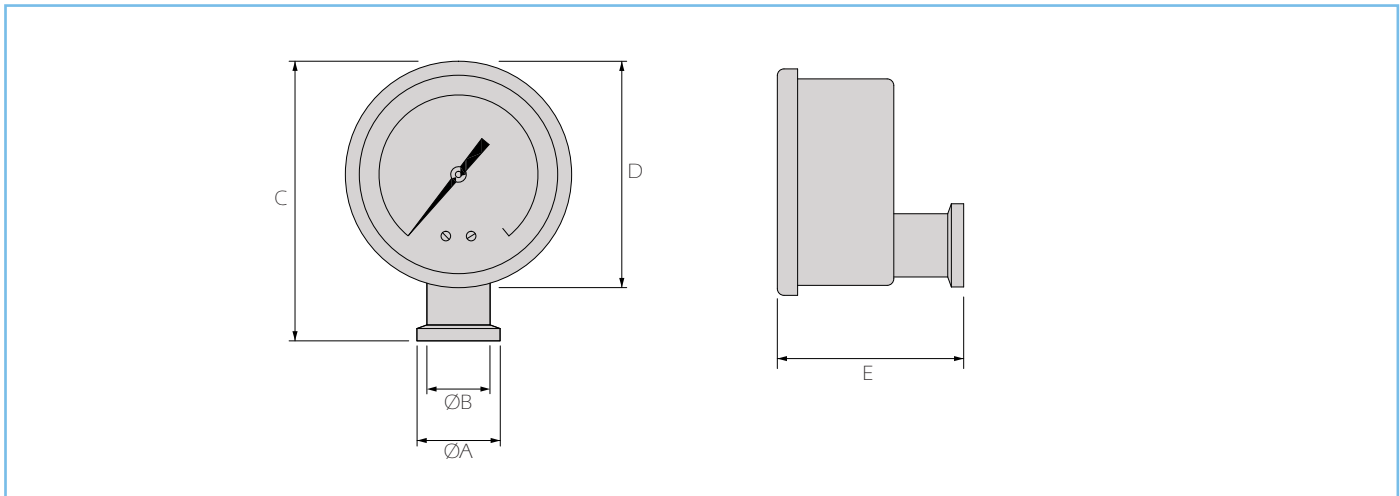
**ADI** Certified 'Animal Derived Ingredient' free


**CofC** Certificate of Conformity

**CAL** Calibration Certification

# 4601 DS

DN63 Diaphragm seal pressure gauge



	Dimensions(mm)						Weight(Kg)	
	Dial Size(mm)	ØA	ØB	C	D	E	Dry	Filled
	DN63	25	15.8	84.5	63	57	0.16	0.35



### Packaging

Individually boxed



### Service Parts

No service parts are available for this range



### Specification

See product selector sheet for specification & ordering detail

# Staitech

Staitech Ltd • PO Box 152 • Stroud  
 Glos • GL6 8YT • UK  
 Tel: +44 (0) 1453 882736 • Fax: +44 (0) 1453 882744  
 Email: sales@staitech.com • Web: www.staitech.com  
 Specifications subject to change without notice. 4601 DS-TB - 08/13