

The HBV03 butterfly valve is manufactured in 316L stainless steel with a replaceable FDA approved EPDM, Viton, Silicone or Nitrile seat. Valves are available in 1" to 4" sizes with ASME BPE clamp or weld end connections. The disc/stem is a one piece low profile design ensuring minimal pressure drop. Wetted surfaces are finished to 0.8 microns Ra with enhanced finishes also available. Valves are offered with either 2-position Nylon handle, 5-position stainless steel handle or fitted with pneumatic or electric actuators.

P Pressure Rating

Up to 10 barg

T Temperature Rating

Up to - 125°C with EPDM seal
200°C with Viton & Silicone seal
125°C with Nitrile seal

L Connections

1" - 4" ASME BPE clamp or weld ends

S Seal Materials

EPDM, Viton, Silicone or Nitrile

W Surface Finish

Wetted surfaces - 0.8 microns Ra
External surfaces - 1.0 micron Ra

✓ Options

Pneumatic and electric actuation packages
Enhanced surface finishes and electropolishing
Extended weld end connections

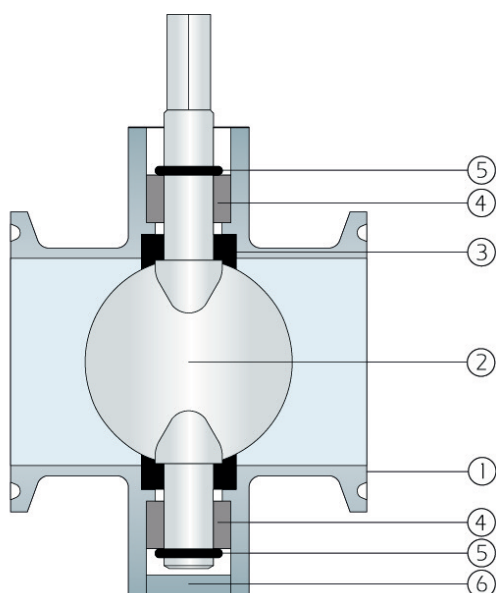
C Available Certification

CofC Certificate of Conformity

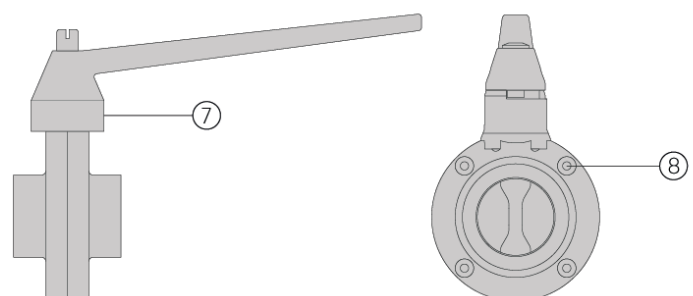
MTR's Material Certification

FDA FDA Elastomer compliance certificates

ADI Certified 'Animal Derived Ingredient' free

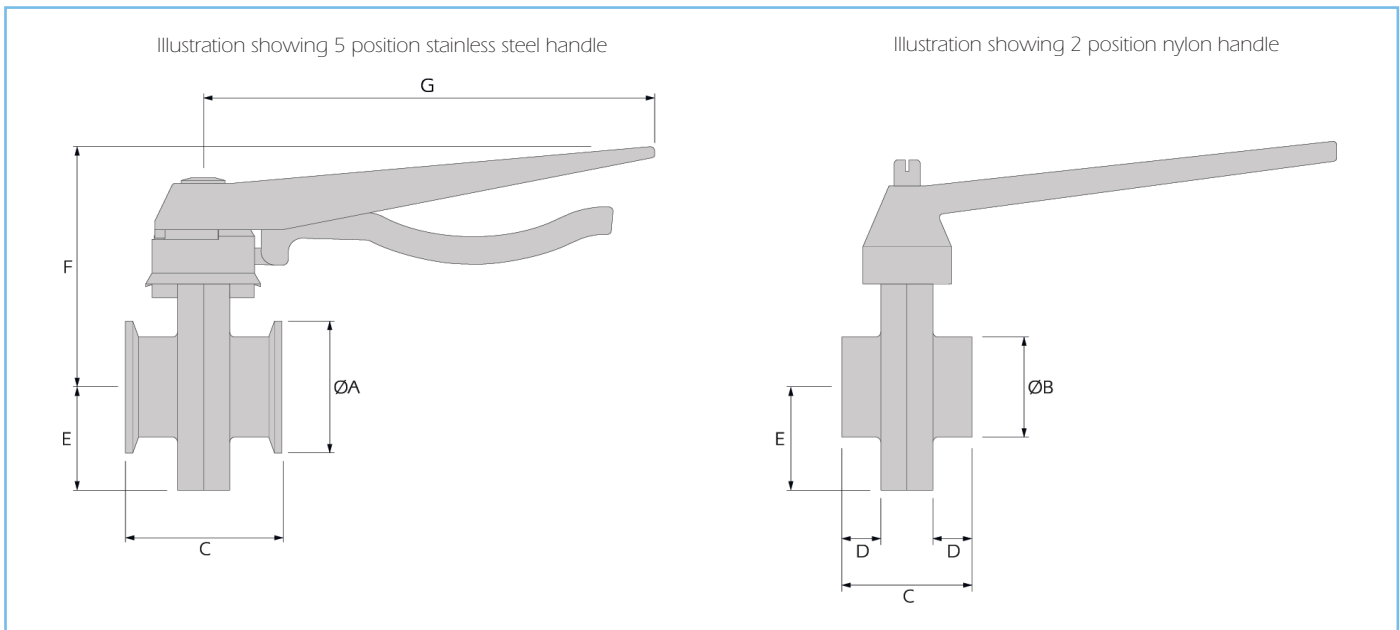




Part	Description
1	Body 316L stainless steel
2	Disc 316L stainless steel
3	Seat EPDM, Viton, Silicone or Nitrile
4	Bush PTFE
5	O-ring Nitrile
6	Plug Acetal
7	Handle Stainless steel or Nylon
8	Screw Stainless steel



HBV03

Butterfly valve



Size	Dimensions(mm)							Weight(kg)	
	ØA	ØB	C	D*	E	F	G		
	1"	50.5	25.4	60	10	40	90	165	0.5
	1-1/2"	50.5	38.1	60	10	44	94	165	0.5
	2"	64	50.8	60	10	50	101	165	0.6
	2-1/2"	77.5	63.5	60	10	57	107	165	0.9
	3"	91	76.2	60	10	63	113	165	1.2
	4"	119	101.6	100	10	79	129	165	1.6

* Extended weld ends are available to allow orbital welding



Packaging

Individually capped & bagged



Service Parts

Seal kit comprising part 3, 4, 5 & 6



Specification

See product selector sheet for specification & ordering detail

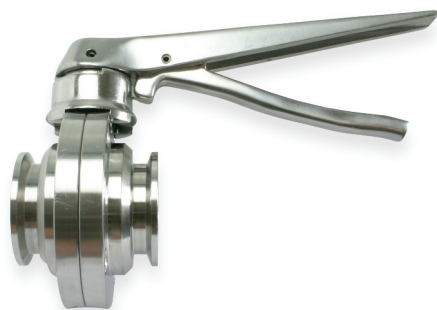
Staitech

Staitech Ltd • PO Box 152 • Stroud
Glos • GL6 8YT • UK

Tel: +44 (0) 1453 882736 • Fax: +44 (0) 1453 882744

Email: sales@staitech.com • Web: www.staitech.com

Specifications subject to change without notice. HBV03-TB - 11/12



- Maximum operating pressure - 10 barg
- Maximum operating temperature -
135°C with EPDM seal
200°C with Viton or Silicone seal
125°C with Nitrile seal
- 1" - 4" ASME BPE Clamp or weld end connections
- Extended weld end option
- Pneumatic or electric actuation options

ASME BPE part number ordering key

Product	Size	Connections	Seal	Handle	Options
HBV03	-	-	-	-	-
	1" ASME BPE 100	Clamp C	EPDM EBK	Nylon N	0.5Ra wetted surfaces 0.5Ra
	1-1/2" ASME BPE 150	Weld W	Viton VBK	Stainless steel S	0.5Ra wetted surfaces & electropolished 0.5Ra - EP
	2" ASME BPE 200	Extended weld end EW	Silicone SGY		Electropolished only EP
	2-1/2" ASME BPE 250		Nitrile NBK		Actuation - consult Staitech
	3" ASME BPE 300				
	4" ASME BPE 400			Stainless steel S	

Example

HBV03	-	100C	-	EBK	-	S	-
--------------	---	-------------	---	------------	---	----------	---

Specification text

Staitech HBV03 butterfly valve. 316L stainless steel body and butterfly. EPDM seal. 1" ASME BPE Clamp connections. Wetted surfaces finished to 0.8 microns Ra. External surfaces finished to 1.0 micron Ra. Fitted with 5 position stainless steel handle(HBV03-100C-EBK-S)

Customer reference number:

Tag number	Part number	Quantity

Available certification (tick as required)

<input type="checkbox"/>	CofC Certificate of conformity	<input type="checkbox"/>	ADI Certified 'Animal Derived Ingredient' free
<input type="checkbox"/>	MTR's Material certification	<input type="checkbox"/>	
<input type="checkbox"/>	FDA FDA elastomer compliance certificates	<input type="checkbox"/>	