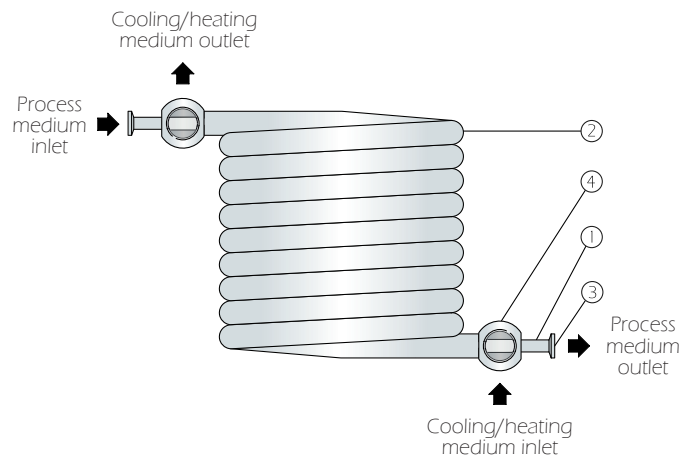
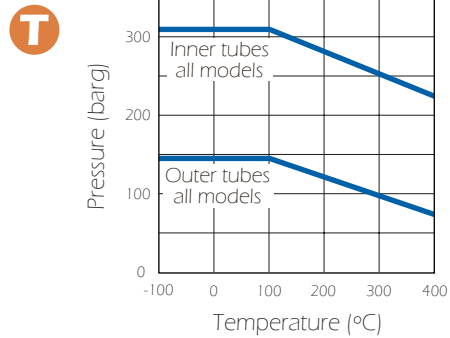


The HSC20 heat exchanger utilises a continuous length of seamless tube through which the process medium flows. The inner tube terminates in a 25mm ASME BPE compatible clamp connection, with the heat transfer medium passing through the mounting boss fittings. Four sizes of HSC20 are available, the selection of which is based on the variables highlighted in the sizing check list included in this data sheet. The HSC20 is also suitable for applications where the heating medium is steam.



### **P** Pressure and Temperature



### **T** Connections

Sample medium -  
25mm clamp to suit ASME BPE fittings  
Cooling/heating medium -  
NPT female

### **P** Performance

Suitable for duties up to 79kw

### **S** Surface Finish

Wetted surfaces - 0.8 microns Ra or 0.5 microns Ra and electropolished  
External surfaces - Satin polish finish

### **C** Options

Alternative materials  
ASME BPE clamp cooling/heating medium connections

### **C** Available Certification

**CofC** Certificate of Conformity

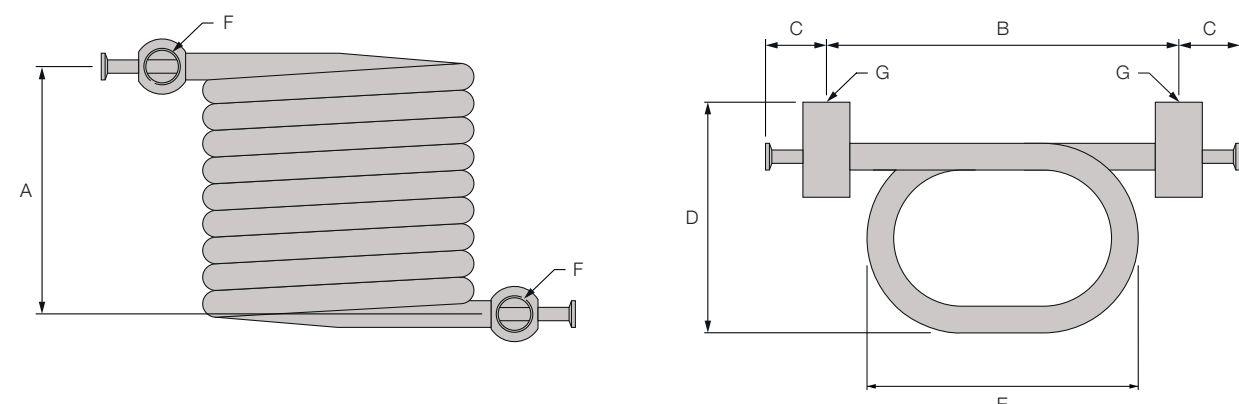
**MTR's** Material Certification

**ADI** Certified 'Animal Derived Ingredient' free

Part	Description
1	Inner tube 316L Stainless steel
2	Outer tube 316L Stainless steel
3	End fitting 316L Stainless steel
4	Boss 316L Stainless steel

### Design Parameters

Model	HSC20-01	HSC20-02	HSC20-03	HSC20-04
Inner tube - Ømm	6.4x0.9	9.5x1.2	12.7x1.65	19.05x1.65
To match ASME BPE size	1/4"	3/8"	1/2"	3/4"
Outer tube - Ømm	12.7x0.9	19x1.2	25.4x1.65	31.8x1.7
Heat transfer area - m <sup>2</sup>	0.11	0.16	0.24	0.34
Inner tube volume - cc	90	221	418	1117
Outer tube volume - cc	296	808	1608	2003

HSC20								
								
Model	Dimensions (mm)							Weight (kg)
	A	B	C	D	E	F	G	
HSC20-01	241	178	41	114	127	1/2" NPTF	5/16" X 18 UNC	2.7
HSC20-02	229	245	48	162	191	3/4" NPTF	3/8" X 16 UNC	5.5
HSC20-03	241	330	57	216	254	1" NPTF	1/2" X 13 UNC	10.8
HSC20-04	216	495	105	302	425	1" NPTF	1/2" X 13 UNC	14.5



#### Information Required for Sizing

- Application (Heating/cooling)
- Process medium type
- Process medium inlet temperature
- Process medium outlet temperature
- Process medium flow rate
- Process medium pressure
- Heating/cooling medium type
- Heating/cooling inlet temperature
- Heating/cooling outlet temperature
- Heating/cooling medium pressure



#### Packaging

Individually capped, and boxed



#### Service Parts

The HSC20 has no maintainable parts