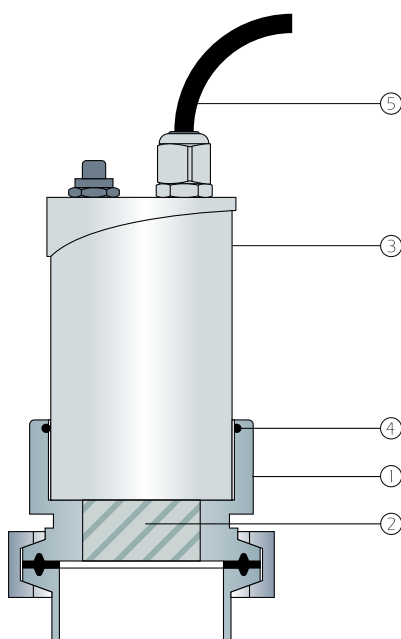


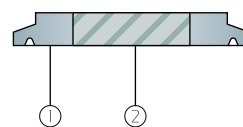


The HSG01 range are designed to fit directly onto ASME BPE clamp fittings using a conventional seal and clamp. The unique fused glass and stainless steel construction provides a strong and resilient solution for sight glass applications in a wide range of services. Units are available with either Borosilicate or Soda Lime glass, the selection of which is based on chemical compatibility, viewing aperture and pressure rating requirements. A back light fitting with removable lamp is available for use on vessels or cross fittings.

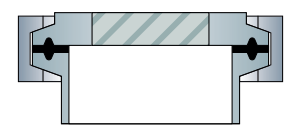
- P Pressure Rating**
1-1/2", 2" and 2-1/2" - 16 barg
3" and 4" - 10 barg
- T Temperature Rating**
Up to - 150°C with Soda Lime glass
232°C with Borosilicate glass
- Connection**
Compatible with 1-1/2" - 4" ASME BPE clamp fittings
- Lamp**
Voltage - 24Vdc/20W for permanent illumination
24Vdc/50W with push button switch for intermittent use
Electrical connection - M16 connector with 3m cable
Lamp protection - IP65
- Surface Finish**
Wetted surfaces - 0.5 microns Ra
- Options**
C22 body
Flanged units
Internal wiper mechanism
Zero-static tank/vessel mounting fittings
- Available Certification**
 - CofC** Certificate of Conformity
 - MTR's** Material Certification
 - ADI** Certified 'Animal Derived Ingredient' free



Installed light assembly



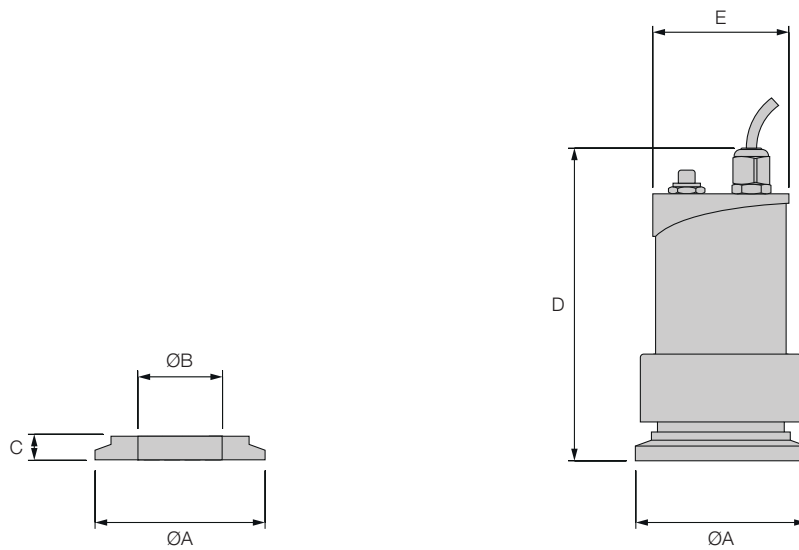
Sight glass disc only



Installed sight glass

Part	Description
1	Body WNI.4462 stainless steel (GR 329)
2	Glass Borosilicate or Soda Lime
3	Lamp body Stainless steel
4	Seal EPDM
5	Cable 3-core insulated

HSG01



	Size	Dimensions (mm)						Weight (kg)	
		ØA	ØB Borosilicate glass	ØB Soda Lime glass	C	D	E	Glass only	Lamp assembly
	1-1/2"	50.5	25	30	7	120	56	0.1	0.7
	2"	64	30	38	7	120	56	0.1	0.8
	2-1/2"	77.5	35	45	10	120	56	0.15	0.9
	3"	91	40	55	10	120	56	0.18	1
	4"	119	55	75	13	120	56	0.35	1.3



Packaging

Individually bagged



Service Parts

The HSG01 is a non-maintainable product. Replacement lamp sold separately



Specification

See product selector sheet for specification and ordering detail



- Maximum operating pressure -
1/2", 2" and 2-1/2" - 16 barg
3" and 4" - 10 barg
- Maximum operating temperature -
Up to 232°C with Borosilicate glass
Up to 150°C with Soda Lime glass
- Compatible with 1-1/2" - 4" ASME BPE clamp fittings
- Lamp for permanent or intermittent illumination

ASME BPE part number ordering key

Product	Size	Connection	Glass	Back light
-	-	-	-	-
HSG01	1-1/2" ASME BPE	150	Borosilicate	24Vdc 20W
	2" ASME BPE	200	Soda Lime	24Vdc 50W
	2-1/2" ASME BPE	250		
	3" ASME BPE	300		
	4" ASME BPE	400		

Example

HSG01	-	150C	-	BO	-	USL33-50W
--------------	----------	-------------	----------	-----------	----------	------------------

Specification text (glass only)

Staitech HSG01 sight glass disc. 316L (WN1.4462) stainless steel carrier with fused **Borosilicate glass**. 1-1/2" ASME BPE clamp fitting. Wetted surfaces finished to 0.5 microns Ra. (HSG01-150C-BO)

Specification text (glass with lamp)

Staitech HSG01 USL33 lamp adaptor sight glass disc. 316L (WN1.4462) stainless steel carrier with fused **Borosilicate glass**. Fitted with 24Vdc/50W USL33 lamp with push button switch and 3m cable. (HSG01-150C-BO-USL33-50W)

Customer reference number:

Tag number	Part number	Quantity

Available certification (tick as required)

<input type="checkbox"/>	CofC Certificate of conformity	<input type="checkbox"/>	ADI Certified 'Animal Derived Ingredient' free
<input type="checkbox"/>	MTR's Materials certification	<input type="checkbox"/>	