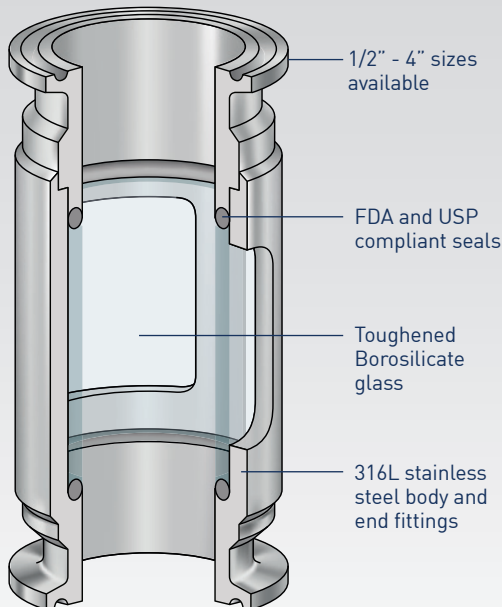


HSG02 SIGHT GLASS



HSG02

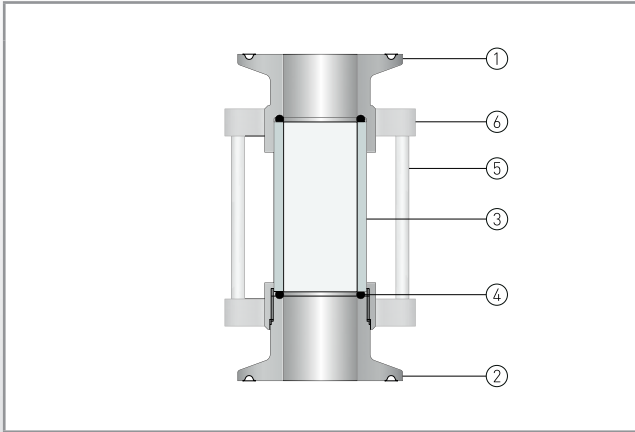
The HSG02 range of sight glasses are designed for use in high purity applications where a visible indication of flow or product presence is required. The double window design provides optimum viewing area and eliminates the need for a back light. The bore of the glass and end fittings match that of the corresponding tubing size thus eliminating the possibility of fluid retention, even when units are installed horizontally. An optional Polycarbonate knock shield is also available and this can be fitted without the need to disassemble the sight glass.

P Pressure Rating	Up to 10 barg
T Temperature Rating	150°C with EPDM seals 200°C with Viton or Silicone seals 200°C with FEP-Silicone seals 135°C when knock shield fitted
Connections	1/2" - 4" ASME BPE clamp DN8 - DN50 DIN and ISO clamp
Wetted Parts	Body - 316L stainless steel Glass - Borosilicate
Seal Material	EPDM, Viton, Silicone or FEP-Silicone
Surface Finish	Wetted surfaces - 0.5 microns Ra (SF1) External surfaces - 0.8 microns Ra
Options	Polycarbonate knock shield Low ferrite stainless steel (WN1.4435), C22 and other alloys Perlast seals (High performance PTFE) Backlight Bolted body design* - HSG03 and HSG04 Electropolished finish (SF4)
Certification	Certificate of conformity Material certification FDA Elastomer compliance certificate USP Elastomer compliance certificate Certified 'Animal Derived Ingredient' free

- ★ Features**
- Full bore design for optimum drainability
 - Pipe forces transferred through metal body and not glass
 - Two large viewing apertures for unobstructed monitoring of the flow media
 - Optional knock shield for increased glass protection
 - Metal-metal assembly joint for controlled seal compression
 - All material fully certified
 - Easy replacement of glass and seals

*Recommended where twisting of the pipeline may occur

HSG02 SIGHT GLASS

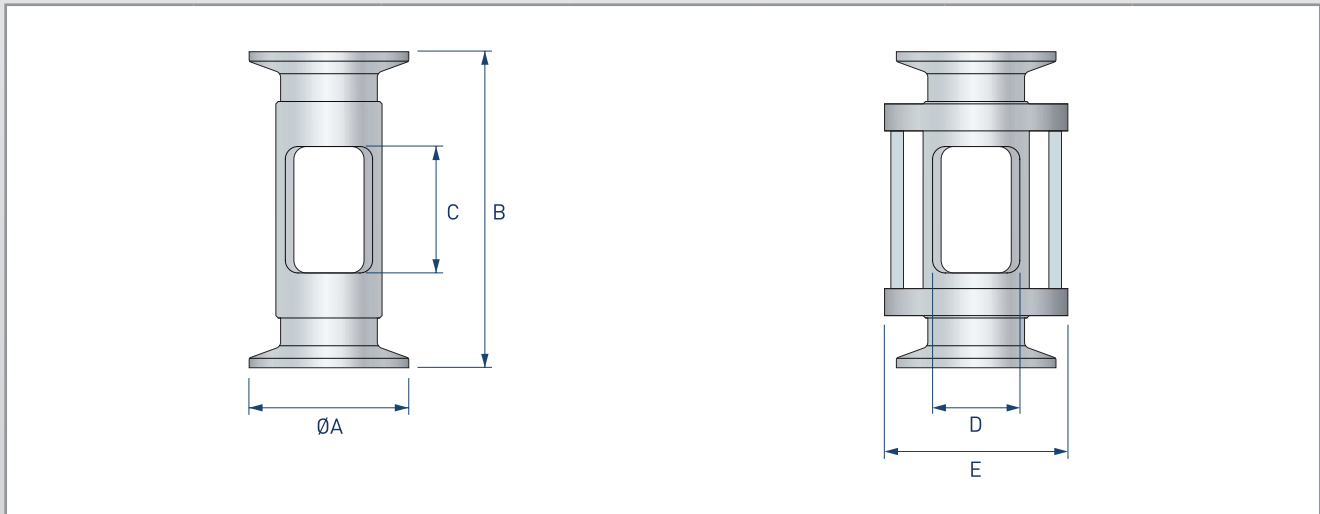


Part	Description	
1	Body	316L stainless steel
2	End fitting	316L stainless steel
3	Glass*	Borosilicate
4	Seals**	EPDM, Viton, Silicone or FEP-Silicone
5	Knock shield***	Polycarbonate
6	Support rings***	316L stainless steel

* Glass meets the requirements of ASTM E 438, Type I, Class A as well as ISO 3585:1998.

** All seals are FDA and USP compliant. EPDM and FEP-Silicone are USP 121°C compliant.

*** Knock shield is optional.



Size ASME BPE	Dimensions (mm)					Weight (kg)
	ØA	B	C	D* Viewing area	E**	
1/2"	25	90	40	120°	34	0.1
3/4"	25	90	40	120°	34	0.1
1"	50.5	100	40	120°	64	0.3
1-1/2"	50.5	100	40	120°	64	0.4
2"	64	100	40	120°	84	0.6
2-1/2"	77.5	100	40	120°	100	0.8
3"	91	100	40	120°	109	1.0
4"	119	100	40	120°	150	1.3

*Sight glasses have 2 windows at 180° separation

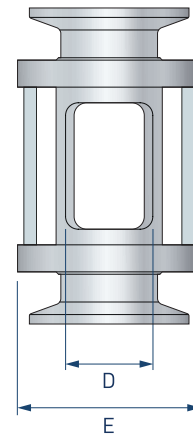
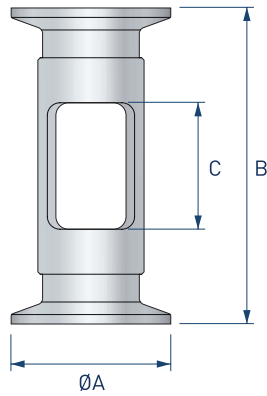
** Dimension E only applies when knock shield is fitted

Service Parts - Seal kit (4) - 2 seals per set, glass (3) and knock shield lens (5)

Backlight option



HSG02 ASME BPE connections - ordering code							
Product		Size		Connections		Seals	Options
	-				-		
Without knock shield		1/2"	050	Clamp	C	FDA compliant	Electropolishing EP
HSG02		3/4"	075			Silicone - red SR	
With knock shield		1"	100			FDA & USP Class VI compliant	
HSG02KS		1-1/2"	150			EPDM - black EBKU	
		2"	200			Viton - black VBKU	
		2-1/2"	250			Silicone - white SW	
		3"	300			FEP-Silicone FEPS	
		4"	400			Perlast PLW	
Example							
HSG02	-	050C		-	EBKU		- EP
Specification text							
<p>Staitech HSG02 sight glass manufactured in 316L stainless steel with Borosilicate glass and EPDM FDA and USP Class VI compliant seals. 1/2" ASME BPE clamp connections. Wetted surfaces finished to 0.5 microns Ra. External surfaces finished to 0.8 microns Ra. (HSG02-050C-EBKU). For electropolished finish add suffix '-EP' (HSG02-050C-EBKU-EP).</p> <p>Staitech HSG02 sight glass manufactured in 316L stainless steel with Borosilicate glass and EPDM FDA and USP Class VI compliant seals. Fitted with Polycarbonate knock shield. 1/2" ASME BPE clamp connections. Wetted surfaces finished to 0.5 microns Ra. External surfaces finished to 0.8 microns Ra. (HSG02KS-050C-EBKU). For electropolished finish add suffix '-EP' (HSG02KS-050C-EBKU-EP).</p>							



Size DIN	Dimensions (mm)					Weight (kg)
	ØA	B	C	D* Viewing area	E**	
DN8	34	90	40	120°	34	0.1
	25	90	40	120°	34	0.1
DN10	34	90	40	120°	34	0.1
	25	90	40	120°	34	0.1
DN15	34	90	40	120°	34	0.1
	25	90	40	120°	34	0.1
DN20	34	90	40	120°	64	0.1
	25	90	40	120°	64	0.1
DN25	50.5	100	40	120°	64	0.3
DN32	50.5	100	40	120°	64	0.4
DN40	50.5	100	40	120°	64	0.6
DN50	64	100	40	120°	84	0.6

Size ISO	Dimensions (mm)					Weight (kg)
	ØA	B	C	D* Viewing area	E**	
DN8	25	90	40	120°	34	0.1
DN10	25	90	40	120°	34	0.1
DN15	34	90	40	120°	34	0.1
	50.5	90	40	120°	64	0.4
DN20	50.5	100	40	120°	64	0.4
DN25	50.5	100	40	120°	64	0.4
DN32	64	100	40	120°	84	0.6
DN40	64	100	40	120°	84	0.6
DN50	77.5	100	40	120°	100	0.8

*Sight glasses have 2 windows at 180° separation

** Dimension E only applies when knock shield is fitted

HSG02 DIN connections - ordering code									
Product		Connections		Size		Seals		Options	
Without knock shield		Clamp	C	DIN DN8	34.0 - 8.0	FDA compliant		Electropolishing	EP
HSG02					25.0 - 8.0	Silicone - red	SR		
With knock shield				DIN DN10	34.0 - 10.0	FDA & USP Class VI compliant			
HSG02KS					25.0 - 10.0	EPDM - black	EBKU		
				DIN DN15	34.0 - 15.0	Viton - black	VBKU		
					25.0 - 15.0	Silicone - white	SW		
				DIN DN20	34.0 - 16.0	FEP-Silicone	FEPS		
					25.0 - 16.0	Perlast	PLW		
				DIN DN25	50.5 - 25.0				
				DIN DN32	50.5 - 32.0				
				DIN DN40	50.5 - 38.0				
				DIN DN50	64.0 - 50.0				
HSG02 ISO connections - ordering code									
Without knock shield		Clamp	C	ISO DN8	25.0 - 10.3	FDA compliant		Electropolishing	EP
HSG02					ISO DN10	25.0 - 14.0	Silicone - red		
With knock shield					34.0 - 18.1	FDA & USP Class VI compliant			
HSG02KS				ISO DN15	50.5 - 18.1	EPDM - black	EBKU		
				ISO DN20	50.5 - 23.7	Viton - black	VBKU		
				ISO DN25	50.5 - 29.7	Silicone - white	SW		
				ISO DN32	64.0 - 38.4	FEP-Silicone	FEPS		
				ISO DN40	64.0 - 44.3	Perlast	PLW		
				ISO DN50	77.5 - 56.3				
Example									
HSG02	-	C	-	34.0 - 8.0	-	EBKU	-	EP	
Specification text									
<p>Staitech HSG02 sight glass manufactured in 316L stainless steel with Borosilicate glass and EPDM FDA and USP Class VI compliant seals. DIN DN8 34mm clamp connections. Wetted surfaces finished to 0.5 microns Ra. External surfaces finished to 0.8 microns Ra. (HSG02-C-34.0-8.0-EBKU). For electropolished finish add suffix '-EP' (HSG02-C-34.0-8.0-EBKU-EP).</p> <p>Staitech HSG02 sight glass manufactured in 316L stainless steel with Borosilicate glass and EPDM FDA and USP Class VI compliant seals. Fitted with Polycarbonate knock shield. DIN DN8 34mm clamp connections. Wetted surfaces finished to 0.5 microns Ra. External surfaces finished to 0.8 microns Ra. (HSG02KS-C-34.0-8.0-EBKU). For electropolished finish add suffix '-EP' (HSG02KS-C-34.0-8.0-EBKU-EP).</p>									