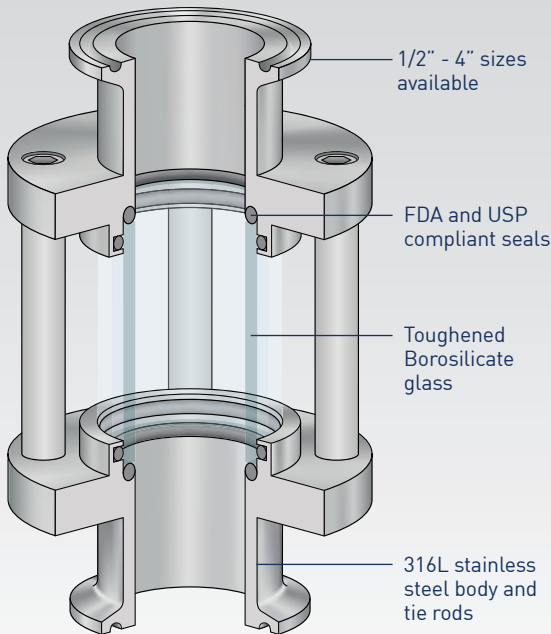


# HSG04 SIGHT GLASS



## HSG04

The HSG04 range of sight glasses are designed for use in high purity applications where an unobstructed view of flow or product presence is required. The bore of the glass and end fittings match that of the corresponding tubing size thus eliminating the possibility of fluid retention, even when units are installed horizontally. An optional polycarbonate knock shield is also available for all sizes.

---

<b>P Pressure Rating</b>	Up to 10 barg
--------------------------	---------------

---

<b>T Temperature Rating</b>	150°C with EPDM seals 200°C with Viton or Silicone seals 200°C with FEP-Silicone seals 135°C when knock shield fitted
-----------------------------	--

---

<b>I Connections</b>	1/2" - 4" ASME BPE clamp 1/2" - 2" ASME BPE weld end DN8 - DN50 DIN and ISO clamp DN8 - DN50 DIN and ISO weld end
----------------------	--

---

<b>Wetted Parts</b>	Body - 316L stainless steel Glass - Borosilicate
---------------------	---

---

<b>Seal Material</b>	EPDM, Viton, Silicone or FEP-Silicone
----------------------	---------------------------------------

---

<b>Surface Finish</b>	Wetted surfaces - 0.5 microns Ra (SF1) External surfaces - 0.8 microns Ra
-----------------------	--

---

<b>Options</b>	Polycarbonate knock shield Low ferrite stainless steel (WN1.4435), C22 and other alloys Perlast seals (High performance PTFE) Alternative lengths up to 1m Electropolished finish (SF4)
----------------	---

---

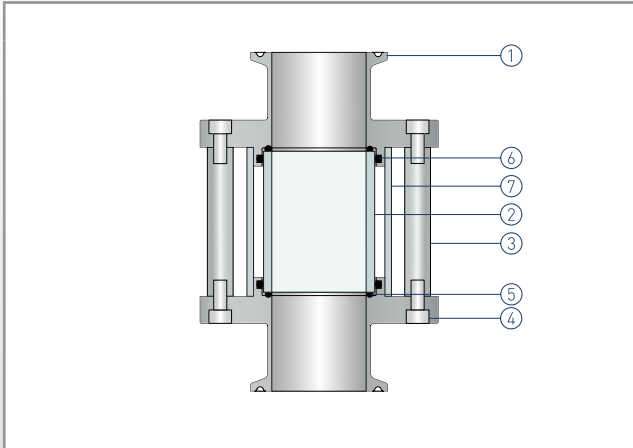
<b>C Certification</b>	Certificate of conformity Material certification FDA Elastomer compliance certificates USP Elastomer compliance certificates Certified 'Animal Derived Ingredient' free
------------------------	---

---

<b>★ Features</b>	<ul style="list-style-type: none"><li>• Full bore design for optimum drainability</li><li>• Unobstructed view from any angle</li><li>• Optional knock shield for increased glass protection</li><li>• External body rods eliminate piping load on glass</li><li>• All material fully certified</li><li>• Easy replacement of glass and seals</li></ul>
-------------------	--

---

# HSG04 SIGHT GLASS

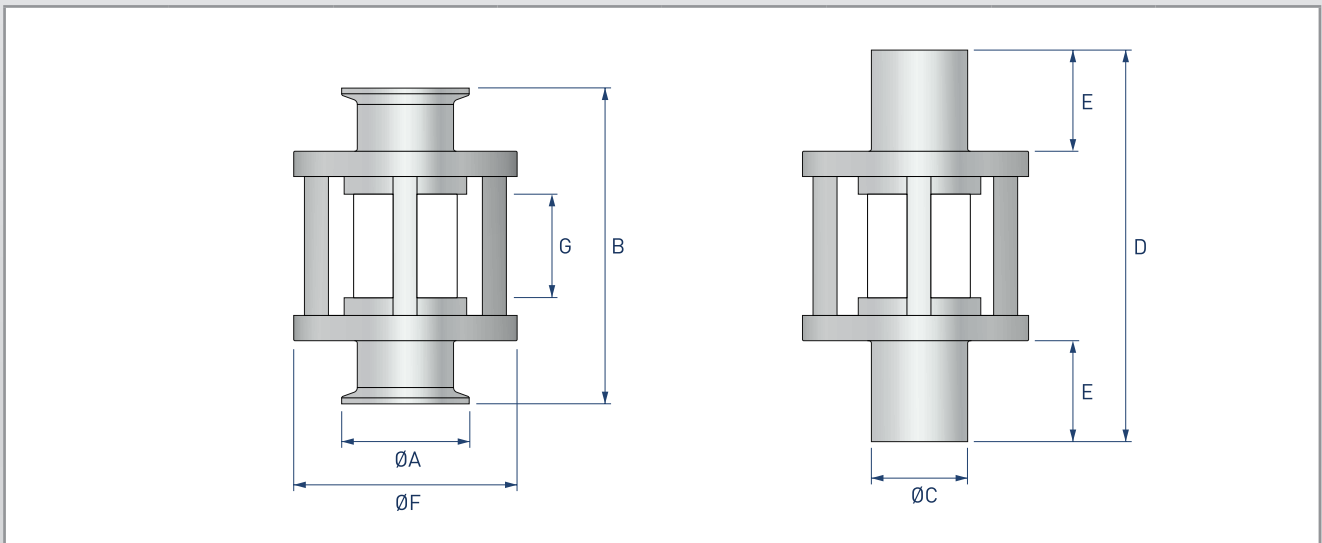


Part	Description
1	End fittings 316L stainless steel
2	Glass* Borosilicate
3	Tie rods 316L stainless steel
4	Screws 316L stainless steel
5	Seals** EPDM, Viton, Silicone or FEP-Silicone
6	Cushioning split rings EPDM
7	Knock shield*** Polycarbonate

\* Glass meets the requirements of ASTM E 438, Type I, Class A as well as ISO 3585:1998.

\*\* All seals are FDA and USP compliant. EPDM and FEP-Silicone are USP 121°C compliant.

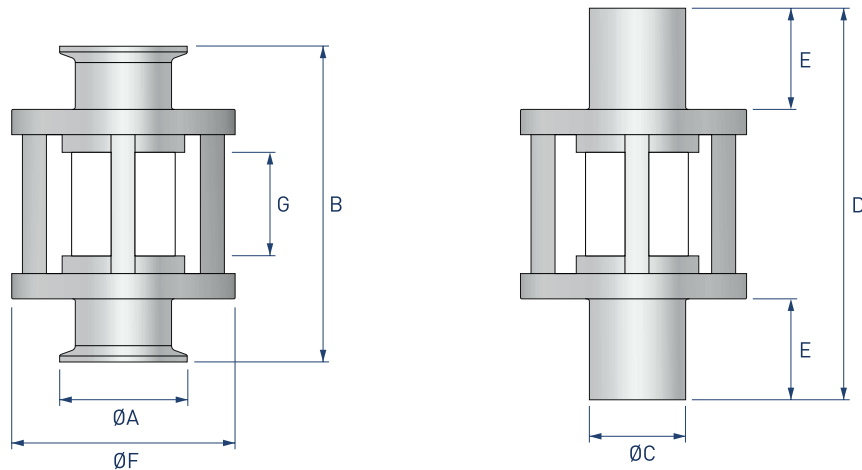
\*\*\* Knock shield is optional.



Size ASME BPE	Dimensions (mm)						Weight (kg)
	ØA	B	ØC	D	E	ØF	
1/2"	25	115	12.7	127	28	50	0.8
3/4"	25	115	19.05	127	28	50	0.8
1"	50.5	125	25.4	155	25	79	2.1
1-1/2"	50.5	125	38.1	155	25	79	2.5
2"	64	125	50.8	155	25	100	3.0
2-1/2"	77.5	125	63.5	155	25	120	3.5
3"	91	125	72.6	155	25	134	4.0
4"	119	125	101.6	155	25	163	4.8

**Service Parts** - Seal kit (5 and 6) 2 seals per set, glass (2) and knock shield lens (7)

HSG04 ASME BPE connections - ordering code							
Product		Size		Connections		Seals	Options
	-				-		
Without knock shield		1/2"	050	Clamp	C	FDA compliant	Electropolishing EP
HSG04		3/4"	075	Weld	W	Silicone - red SR	
With knock shield		1"	100			FDA & USP Class VI compliant	
HSG04KS		1-1/2"	150			EPDM - black EBKU	
		2"	200			Viton - black VBKU	
						Silicone - white SW	
						FEP-Silicone FEPS	
						Perlast PLW	
Example							
<b>HSG04</b>	<b>-</b>	<b>050C</b>		<b>-</b>	<b>EBKU</b>		<b>EP</b>
Specification text							
<p>Staitech <b>HSG04 sight glass</b> manufactured in 316L stainless steel with Borosilicate glass and <b>EPDM FDA and USP Class VI compliant</b> seals. <b>1/2" ASME BPE clamp</b> connections. Wetted surfaces finished to 0.5 microns Ra. External surfaces finished to 0.8 microns Ra (HSG04-050C-EBKU). For electropolished finish add suffix '-EP' (HSG04-050C-EBKU-EP).</p> <p>Staitech <b>HSG04KS sight glass</b> manufactured in 316L stainless steel with Borosilicate glass and <b>EPDM FDA and USP Class VI compliant</b> seals. Fitted with Polycarbonate knock shield. <b>1/2" ASME BPE clamp</b> connections. Wetted surfaces finished to 0.5 microns Ra. External surfaces finished to 0.8 microns Ra (HSG04KS-050C-EBKU). For electropolished finish add suffix '-EP' (HSG04KS-050C-EBKU-EP).</p>							



Size DIN	Dimensions (mm)							Weight (kg)
	ØA	B	ØC	D	E	ØF	G	
DN8	34	115	10.0	113	28	50	40	0.8
	25	115	10.0	113	28	50	40	0.8
DN10	25 or 34	115	12.0	113	28	50	40	0.8
	25 or 34	115	13.0	113	28	50	40	0.8
DN15	25 or 34	115	18.0	113	28	50	40	2.1
	25 or 34	115	19.0	113	28	50	40	2.1
DN20	25 or 34	125	23.0	125	28	79	40	2.1
DN25	50.5	125	28.0	125	28	79	40	2.5
			29.0					
DN32	50.5	125	35.0	125	28	79	40	2.5
DN40	64	125	41.0	125	28	100	40	3.0
DN50	64	125	53.0	125	28	120	40	3.5

Size ISO	Dimensions (mm)							Weight (kg)
	ØA	B	ØC	D	E	F	G	
DN8	25	115	13.4	113	28	50	40	0.8
DN10	25	115	17.2	113	28	50	40	0.8
DN15	34	125	21.3	125	28	79	40	2.1
			21.3					
DN20	50.5	125	26.9	125	28	79	40	2.5
DN25	50.5	125	33.7	125	28	79	40	2.5
DN32	64	125	42.4	125	28	100	40	3.0
DN40	64	125	48.3	125	28	120	40	3.5
DN50	77.5	125	60.3	125	28	134	40	4.0

HSG04 DIN connections - ordering code								
Product	Connections		Size		Seals		Options	
Without knock shield HSG04	Clamp <b>C</b>		DIN DN8	34.0 - 8.0	FDA compliant Silicone - red <b>SR</b> FDA & USP Class VI compliant EPDM - black <b>EBKU</b> Viton - black <b>VBKU</b> Silicone - white <b>SW</b> FEP-Silicone <b>FEPS</b> Perlast <b>PLW</b>		Electropolishing <b>EP</b>	
With knock shield HSG04KS			DIN DN10	25.0 - 8.0				
				34.0 - 10.0				
				25.0 - 10.0				
				34.0 - 15.0				
				25.0 - 15.0				
				25.0 - 16.0				
				34.0 - 16.0				
				34.0 - 20.0				
				50.5 - 25.0				
				50.5 - 26.0				
				50.5 - 32.0				
				50.5 - 40.0				
				64.0 - 50.0				
Without knock shield HSG04	Weld <b>W</b>		ISO DN8	10.0 - 8.0				
With knock shield HSG04KS			ISO DN10	12.0 - 10.0				
				13.0 - 10.0				
				18.0 - 15.0				
				19.0 - 16.0				
				23.0 - 20.0				
				28.0 - 25.0				
				29.0 - 26.0				
				35.0 - 32.0				
				41.0 - 38.0				
		50.3 - 50.0						
<b>Example</b>								
<b>HSG04</b>	-	<b>C</b>	-	<b>34.0 - 8.0</b>	-	<b>EBKU</b>	-	<b>EP</b>
<b>Specification text</b>								
<p>Staitech <b>HSG04 sight glass</b> manufactured in 316L stainless steel with Borosilicate glass and <b>EPDM FDA and USP Class VI compliant</b> seals. <b>DIN DN8 34mm clamp</b> connections. Wetted surfaces finished to 0.5 microns Ra. External surfaces finished to 0.8 microns Ra. (HSG04-C-34.0-8.0-EBKU). For electropolished finish add suffix '-EP' (HSG04-C-34.0-8.0-EBKU-EP).</p> <p>Staitech <b>HSG04 sight glass</b> manufactured in 316L stainless steel with Borosilicate glass and <b>EPDM FDA and USP Class VI compliant</b> seals. Fitted with Polycarbonate knock shield. <b>DIN DN8 34mm clamp</b> connections. Wetted surfaces finished to 0.5 microns Ra. External surfaces finished to 0.8 microns Ra. (HSG04KS-C-34.0-8.0-EBKU). For electropolished finish add suffix '-EP' (HSG04KS-C-34.0-8.0-EBKU-EP).</p>								

HSG04 ISO connections - ordering code									
Product	Connections		Size		Seals		Options		
Without knock shield HSG04	Clamp	C	ISO DN8	25.0 - 10.3	FDA compliant	Silicone - red	SR	Electropolishing	EP
With knock shield HSG04KS			ISO DN10	25.0 - 14.0					
			ISO DN15	34.0 - 18.1					
				50.5 - 18.1					
			ISO DN20	50.5 - 23.7					
			ISO DN25	50.5 - 29.7					
			ISO DN32	64.0 - 38.4					
			ISO DN40	64.0 - 44.3					
		ISO DN50	77.5 - 56.3	FDA & USP Class VI compliant	EPDM - black	EBKU			
					Viton - black	VBKU			
					Silicone - white	SW			
					FEP-Silicone	FEPS			
					Perlast	PLW			
Without knock shield HSG04	Weld	W	ISO DN8	13.4 - 10.3					
With knock shield HSG04KS			ISO DN10	17.2 - 14.0					
			ISO DN15	21.3 - 18.1					
			ISO DN20	26.9 - 23.7					
			ISO DN25	33.7 - 29.7					
			ISO DN32	42.4 - 38.4					
			ISO DN40	48.3 - 44.3					
			ISO DN50	60.3 - 56.3					
<b>Example</b>									
<b>HSG04</b>	-	<b>C</b>	-	<b>34.0 - 18.1</b>	-	<b>EBKU</b>	-	<b>EP</b>	
<b>Specification text</b>									
<p>Staitech HSG04 sight glass manufactured in 316L stainless steel with Borosilicate glass and EPDM FDA and USP Class VI compliant seals. ISO DN15 34mm clamp connections. Wetted surfaces finished to 0.5 microns Ra. External surfaces finished to 0.8 microns Ra. (HSG03-C-34.0-18.1-EBKU). For electropolished finish add suffix '-EP' (HSG04-C-34.0-18.1-EBKU-EP).</p> <p>Staitech HSG04 sight glass manufactured in 316L stainless steel with Borosilicate glass and EPDM FDA and USP Class VI compliant seals. Fitted with Polycarbonate knock shield. ISO DN15 34mm clamp connections. Wetted surfaces finished to 0.5 microns Ra. External surfaces finished to 0.8 microns Ra. (HSG03KS-C-34.0-18.1-EBKU). For electropolished finish add suffix '-EP' (HSG04KS-C-34.0-18.1-EBKU-EP).</p>									