

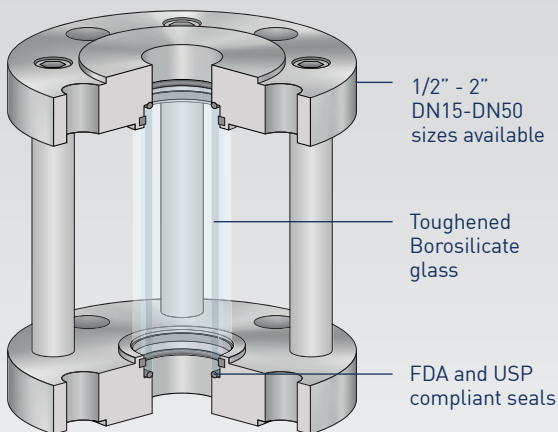
HSG05 SIGHT GLASS

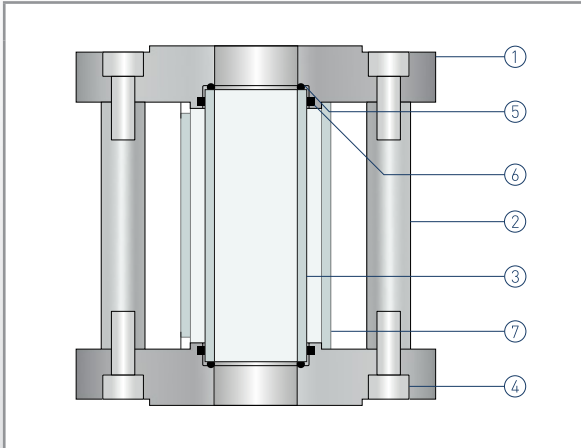


HSG05

The HSG05 is a tubular design allowing through vision from any angle and is available with either DIN or ANSI flanged connections. The end fittings and glass bore diameters are carefully controlled to match schedule pipe diameters. Standard units have 316L stainless steel end connections and toughened Borosilicate glass with a range of FDA and USP compliant seal options. A Polycarbonate knock shield is available for added glass security. The HSG05 can be supplied in non standard lengths up to 1m long.

P Pressure Rating	Up to 10 barg
T Temperature Rating	150°C with EPDM seals 200°C with Viton or Silicone seals 200°C with FEP-Silicone seals 135°C when knock shield fitted
Connections	Flange fittings to suit: 1/2" - 2" ANSI 150 DN15 - DN50 PN10
Wetted Parts	Body - 316L stainless steel Glass - Borosilicate
Seal Materials	EPDM, Viton, Silicone or FEP-Silicone
Surface Finish	Wetted surfaces - 0.5 microns Ra (SF1) External surfaces - 0.8 microns Ra
Options	Polycarbonate knock shield Low ferrite stainless steel (WN1.4435), C22 and other materials Perlast seals (High performance PTFE) Larger sizes Alternative lengths up to 1m Electropolished finish (SF4)
C Certification	Certificate of conformity Material certification FDA Elastomer compliance certificates USP Elastomer compliance certificates Certified 'Animal derived ingredient' free
★ Features	<ul style="list-style-type: none">• Full bore design for optimum drainability• Pipe forces transferred through metal parts and not glass• Optional knock shield for increased glass protection• All material fully certified• Easy replacement of glass and seals





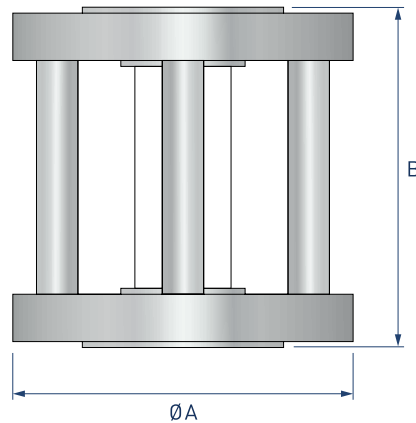
Part	Description
1	End fitting 316L stainless steel
2	Stay bar 316L stainless steel
3	Glass* Borosilicate
4	Screws Stainless steel
5	Seals** EPDM, Viton, Silicone or FEP-Silicone
6	Cushioning split rings*** EPDM or Viton
7	Knock shield**** Polycarbonate

*Glass meets the requirements of ASTM E 438, Type I, Class A as well as ISO 3585:1998.

**All seals are FDA and USP compliant. EPDM and FEP-Silicone are USP 121°C compliant.

***The cushioning ring in units with EPDM and Silicone seals will match the seal material. For units with Viton or FEP-Silicone seals, the cushioning ring is Viton.

****Knock shield is optional.



Size Flange	Dimensions (mm)			Weight (kg)
	ØA - ANSI	ØA - DIN	B	
1/2" / DN15	89	95	110	1.1
3/4" / DN20	98	105	110	1.4
1" / DN25	108	115	115	2.3
1-1/4" / DN32	118	140	115	2.8
1-1/2" / DN40	127	150	115	3.3
2" / DN50	152	165	120	5.5

Service Parts - Seal kit (5 and 6) - 2 seals per set, glass (2) and knock shield lens (7)

HSG05 ASME BPE connections - ordering code									
Product		Size		Connection		Seal		Options	
	-								
Without knock shield		1/2" / DN15	050	ANSI 150	ANSI150		EPDM - black	EBKU	Electropolishing EP
HSG05		3/4" / DN20	075	DIN	PN		Viton - black	VBKU	
With knock shield		1" / DN25	100				Silicone - white	SW	
HSG05KS		1-1/4" / DN32	125				FEP-Silicone	FEPS	
		1-1/2" / DN40	150						
		2" / DN50	200						
Example									
HSG05	-	050ANSI150		-	EBKU		-	EP	
Specification text									
<p>Staitech HSG05 sight glass manufactured in 316L stainless steel with Borosilicate glass and EPDM FDA and USP Class VI compliant seals. 1/2" ANSI 150 flange connections. Wetted surfaces finished to 0.5 microns Ra. External surfaces finished to 0.8 microns Ra. (HSG05-050ANSI150-EBKU). For electropolished finish add suffix '-EP' (HSG05-050ANSI150-EBKU-EP).</p> <p>Staitech HSG05 sight glass manufactured in 316L stainless steel with Borosilicate glass and EPDM FDA and USP Class VI compliant seals. Fitted with Polycarbonate knock shield. 1/2" ANSI 150 flange connections. Wetted surfaces finished to 0.5 microns Ra. External surfaces finished to 0.8 microns Ra. (HSG05KS-050ANSI150-EBKU). For electropolished finish add suffix '-EP' (HSG05KS-050ANSI150-EBKU-EP).</p>									