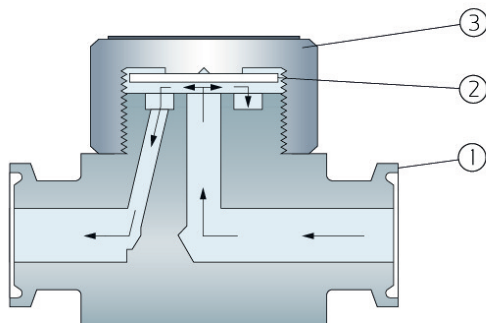




The HST50 is a simple and compact trap suitable for condensate drainage applications in pure steam systems. Operating on thermodynamic principles, the trap will discharge condensate close to steam saturation temperature. Due to the operating characteristics of the HST50, it is best suited to constant pressure applications where uncontaminated condensate is present. The HST50 can be installed in any orientation.



- P Pressure Rating**  
Maximum operating pressure (PMO) - 10 barg  
Maximum allowable pressure (PMA) - 16 barg
- T Temperature Rating**  
Maximum allowable temperature (TMA) - 450°C

- C Connections**  
1/2", 3/4" or 1" ASME BPE clamp  
1/2" ASME BPE tube weld

- Flow Capacity**

Pressure (barg)	1.0	2.0	3.0	4.0	5.0	6.0
Flow (kg/h)	45	58	65	70	76	80

- Surface Finish**  
Wetted surfaces - 0.8 microns Ra  
External surfaces - As-cast

- Options**  
DIN and ISO clamp connections  
Enhanced surface finishes

- C Available Certification**

**CofC** Certificate of Conformity

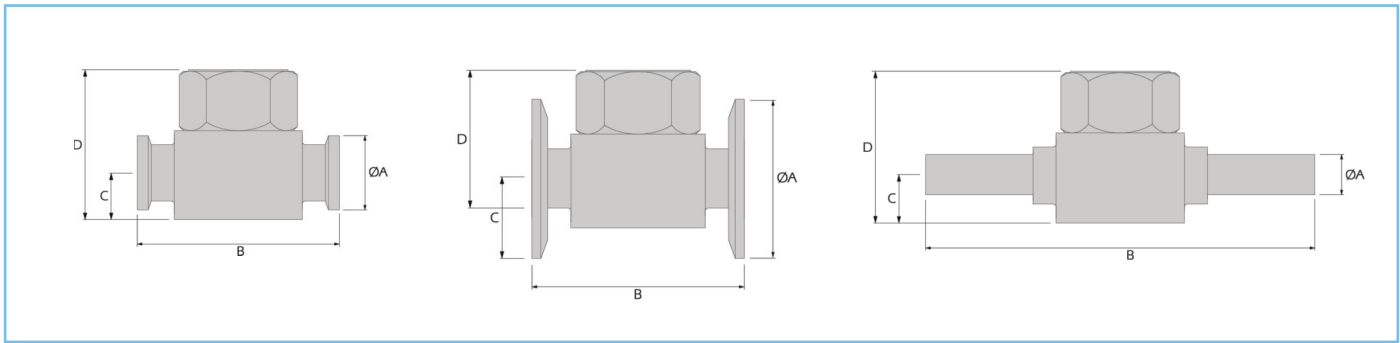
**MTR's** Material Certification




**ADI** Certified 'Animal Derived Ingredient' free

Part	Description
1	Body 316L stainless steel
2	Disc 316L stainless steel
3	Cap 316L stainless steel

# HST50

Clean steam trap



	Size			ØA	Dimensions(mm)				Weight(kg)
	1/2"	3/4"	1"		B	C	D		
	✓	✓		25	65	20	35	0.55	
			✓	50.5	65	20	35	0.6	
	✓			12.7	123	20	35	0.5	



### Packaging

Individually capped, bagged and boxed



### Service Parts

Disc part 2



### Specification

See product selector sheet for specification and ordering detail

# Staitech

Staitech Ltd • PO Box 152 • Stroud  
Glos • GL6 8YT • UK

Tel: +44 (0) 1453 882736 • Fax: +44 (0) 1453 882744  
Email: sales@staitech.com • Web: www.staitech.com

Specifications subject to change without notice. HST50-TB - 11/12