

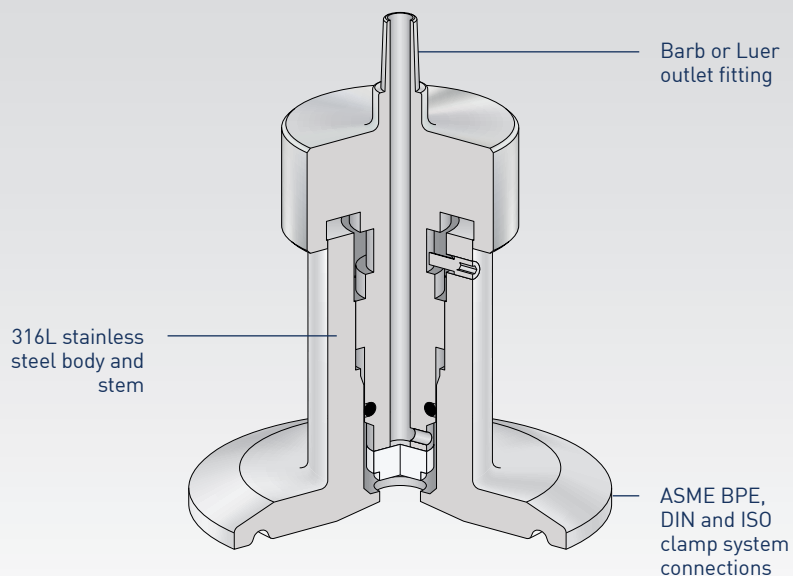
HSV20 SAMPLE VALVE



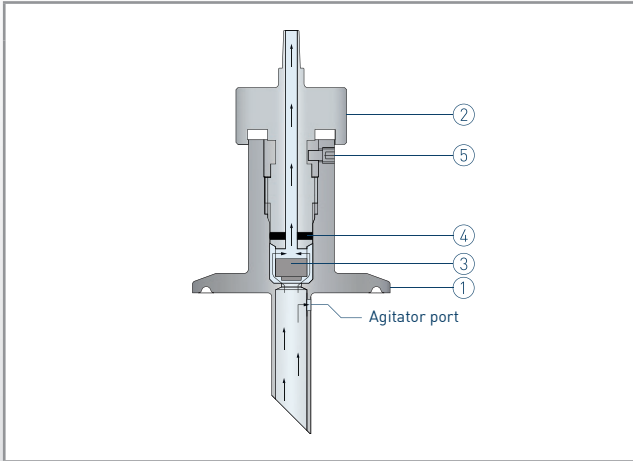
HSV20

Designed for sampling water and process fluids, the HSV20 utilises a TFM-PTFE or PEEK seat seal to ensure bubble tight shut-off. The HSV20 is available with a range of ASME BPE, DIN and ISO clamp system connections and either 6.5mm hose barb or 6% Luer sample outlet fitting. The sample outlet on all valves is fitted with a removable silicone protective dust cap. Valves are also available with insertion tube which allows a sample to be collected from the main flow stream. The HSV20 is suitable for applications where steam sterilisation (SIP) is performed.

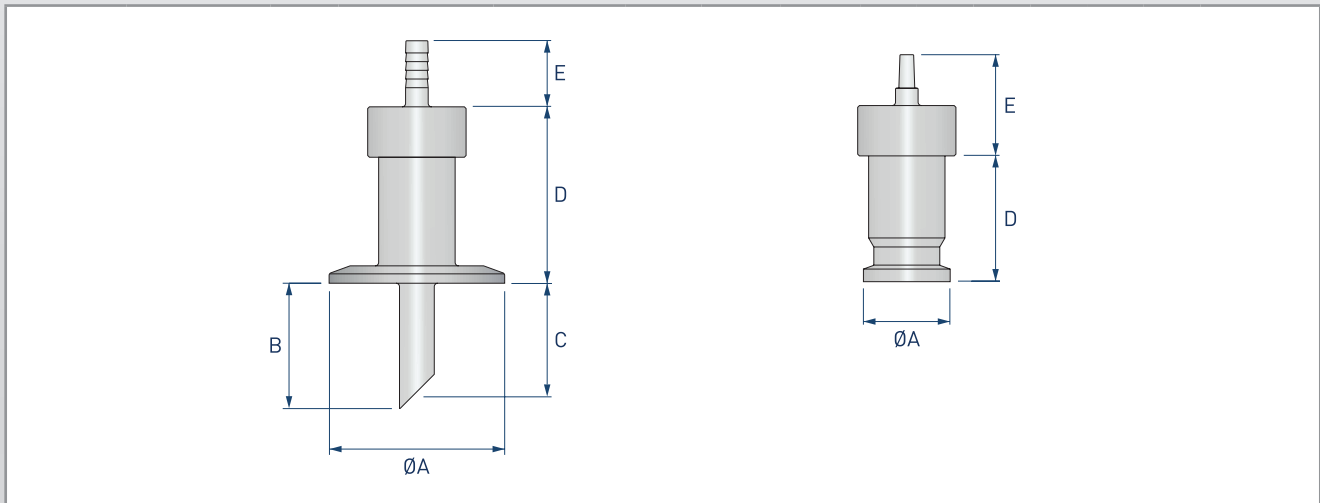
P Pressure Rating	Up to 10 barg
T Temperature Rating	Up to 170°C
I Connections	Inlet - 1/2" - 2" ASME BPE clamp DN8 - DN50 ISO and DIN clamp Outlet - 6.5mm hose barb or 6% Luer fitting
Ø Orifice Diameter	5.0mm
Seal Material	Seat seal - TFM-PTFE Stem seal - EPDM, Viton or Silicone
Surface Finish	Wetted surfaces - 0.5 microns Ra (SF1) External surfaces - Satin polish finish
Options	Threaded or welded system connection
C Certification	Certificate of conformity Material certification FDA elastomer compliance certificates USP elastomer compliance certificates Certified 'Animal derived ingredient' free



HSV20 SAMPLE VALVE



Part	Description	
1	Body	316L stainless steel
2	Valve stem	316L stainless steel
3	Seat seal	TFM-PTFE or PEEK
4	Stem seal	EPDM, Viton or Silicone
5	Travel stop	Stainless steel
-	Dust cap	Silicone



ASME BPE ISO DIN	1/2"		3/4"		1"		1-1/2"		2"		Outlet		Dimensions (mm)					Weight (kg)		
	DN8 & DN10	DN8 & DN10*	DN15*	DN15*	DN20	DN20* & DN25	DN25 & DN32	DN25 & DN32	DN32 & DN40	DN40	DN50	6.5 mm barb	6% Luer	ØA	B	C	D		E (barb)	E (Luer)
	✓		✓									✓	✓	25	-	-	51	19	15	0.17
	✓		✓									✓	✓	25	36	31	51	19	15	0.2
					✓		✓					✓	✓	50.5	-	-	51	19	15	0.22
					✓		✓					✓	✓	50.5	36	31	51	19	15	0.25
										✓		✓	✓	64	-	-	51	19	15	0.3
										✓		✓	✓	64	36	31	51	36	15	0.33

*ISO DN15, DIN DN8 - DN20 available with 25mm or 34mm clamp connections. ISO DN15 available with 50.5mm clamp connections

Service Parts - Element assembly and body seal - parts 3 and 4

Staitech

Unit 6, Canal Iron Works, Hope Mill Lane,
Brimscombe, Stroud, GL5 2SH, UK

T. +44 (0) 1453 882736 / sales@staitech.com / www.staitech.com