

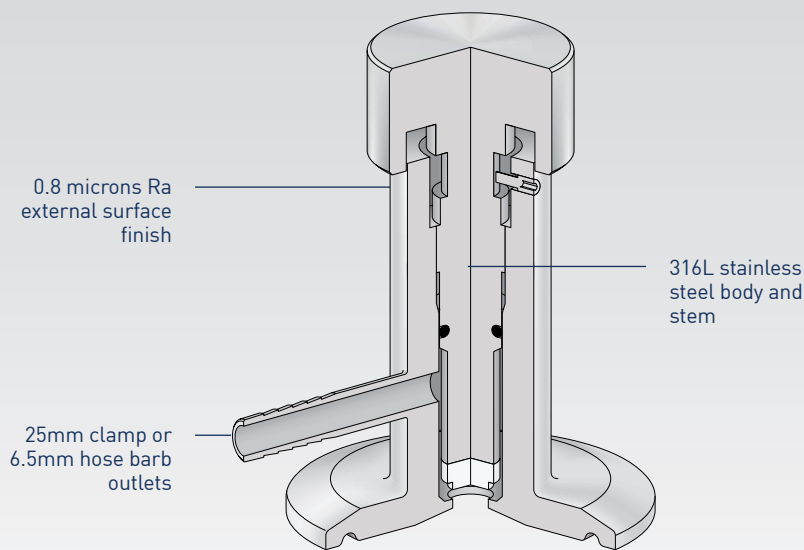
HSV30 SAMPLE VALVE



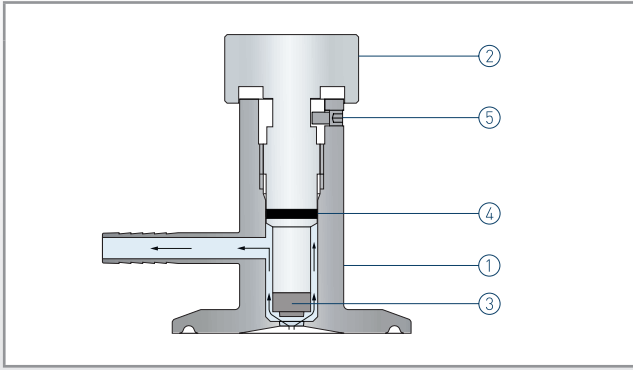
HSV30

Designed sampling water and process fluids, the HSV30 utilises a TFM-PTFE or PEEK seat seal to ensure bubble tight shut-off. The HSV30 is available with a range of ASME BPE, DIN and ISO clamp system connections and 6.5mm hose barb sample outlet fitting. The sample outlet is fitted with a removable silicone dust cap. The HSV30 is suitable for applications where flushing or sterilisation of the sample chamber is to be performed.

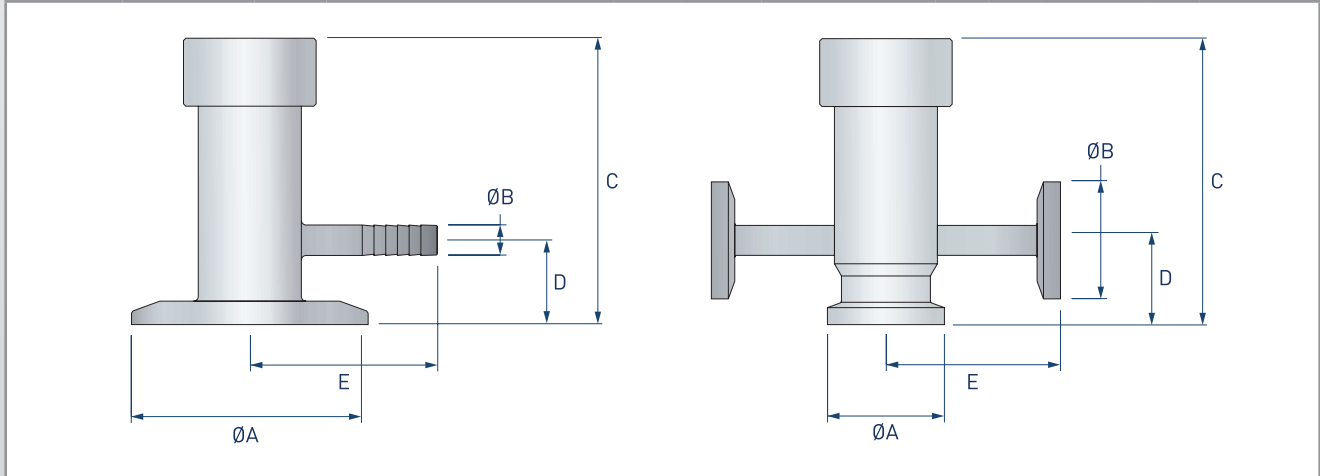
P Pressure Rating	Up to 10 barg
T Temperature Rating	Up to 150°C
I Connections	Inlet - 1/2" - 2" ASME BPE clamp DN8 - DN50 ISO and DIN clamp Outlet - 25mm x 4.2mm clamp or 6.5mm hose barb
Orifice Diameter	5.0mm
Seal Material	Seat seal - TFM-PTFE Stem seal - EPDM, Viton or Silicone
Surface Finish	Wetted surfaces - 0.5 microns Ra (SF1) External surfaces - Satin polish finish
Options	Flushing port
C Certification	Certificate of conformity Material certification FDA elastomer compliance certificates USP elastomer compliance certificates Certified 'Animal derived ingredient' free



HSV30 SAMPLE VALVE



Part	Description	
1	Body	316L stainless steel
2	Valve stem	316L stainless steel
3	Seat seal	TFM-PTFE or PEEK
4	Stem seal	EPDM, Viton or Silicone
5	Travel stop	Stainless steel
-	Dust cap	Silicone



ASME BPE ISO DIN	System connection					Outlet 6.5 mm barb	Dimensions (mm)					Weight (kg)
	1/2" DN8 & DN10	3/4" DN15*	1" DN20	1-1/2" DN25 & DN32	2" DN40		1/2" BPE clamp** 25mm clamp** 25mm clamp**	ØA	ØB	C	D	
	✓	✓				✓	25	6.5	64	18	40	0.2
			✓	✓		✓	50.5	6.5	64	18	40	0.25
					✓	✓	64	6.5	64	18	40	0.3
	✓	✓				✓	25	6.5	64	18	42	0.2
			✓			✓	50.5	6.5	64	18	42	0.2
	✓	✓				✓	25	6.5	64	18	42	0.25
			✓			✓	50.5	25	64	18	50	0.25

*ISO DN15, DIN DN8 - DN20 available with 25mm or 34mm clamp connections. ISO DN15 available with 50.5mm clamp connections

**Outlet fitting is 25mm clamp to suit ASME BPE, DIN and ISO fittings with 4.2mm bore

Service Parts - Seal kit comprising parts 3 and 4

Staitech

Unit 6, Canal Iron Works, Hope Mill Lane,
Brimscombe, Stroud, GL5 2SH, UK

T. +44 (0) 1453 882736 / sales@staitech.com / www.staitech.com