

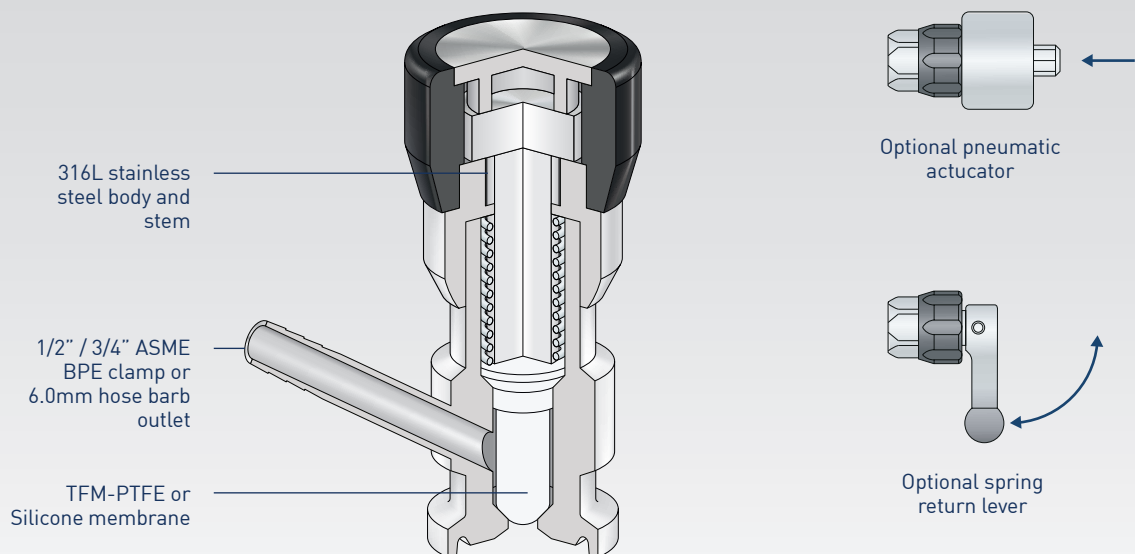
# HSV40 SAMPLE VALVE

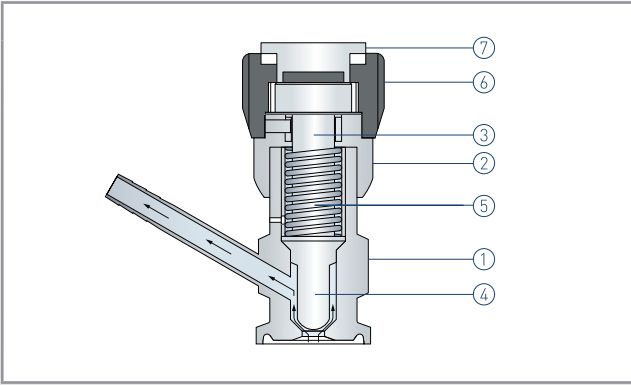


## HSV40

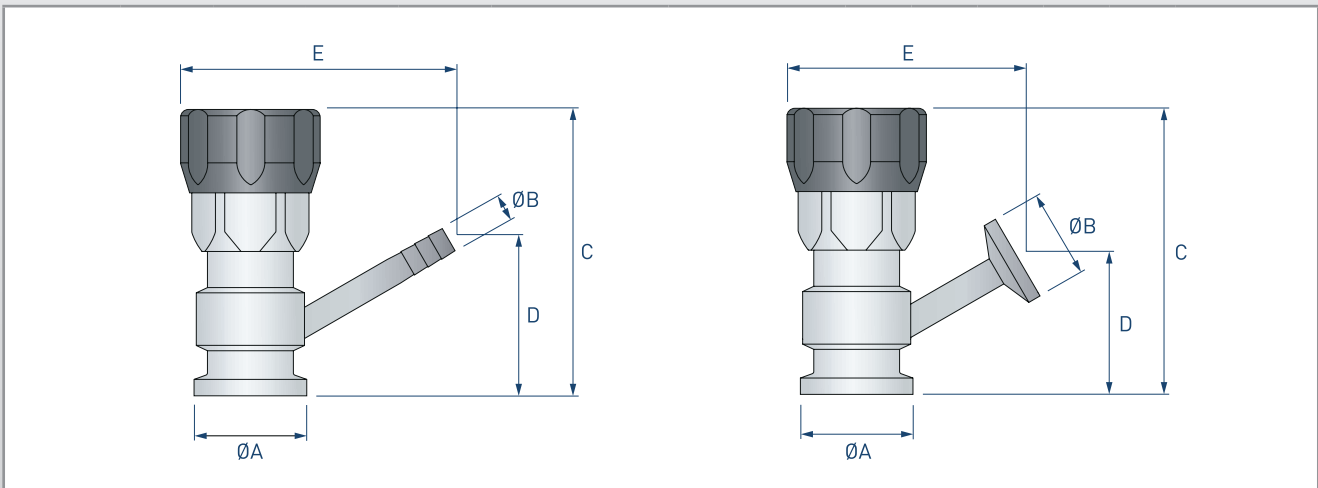
The HSV40 range are intended for liquid and product sampling in high purity applications. The valve utilises a unique one-piece stem seal membrane for optimised valve sterility and ease of cleaning. Valves are available with a wide range of connection options and outlet port configurations. The HSV40 sample valve is suitable for SIP, CIP and autoclaving.

<b>P Pressure Rating</b>	Up to 10 barg
<b>T Temperature Rating</b>	Up to 150°C
<b>I Connections</b>	Inlet - 1/2" / 3/4" ASME BPE clamp Outlet - 1/2" / 3/4" ASME BPE clamp or 6.0mm hose barb
<b>O Orifice Diameter</b>	5.0mm
<b>S Seal Material</b>	TFM-PTFE or Silicone
<b>W Surface Finish</b>	Wetted surfaces - 0.5 microns Ra and electropolished (SF1) External surfaces - 0.8 microns Ra and electropolished
<b>✓ Options</b>	Threaded or weld system connection Flushing port Spring return lever Pneumatic actuator
<b>C Certification</b>	Certificate of conformity Material certification FDA elastomer compliance certificates USP elastomer compliance certificates Certified 'Animal derived ingredient' free





Part	Description	
1	Body	316L stainless steel
2	Cover	316L stainless steel
3	Stem	316L stainless steel
4	Membrane	TFM-PTFE or Silicone
5	Spring	Stainless steel
6	Handle	PTFE
7	Handle insert	Stainless steel
-	Dust cap	Silicone



	Inlet - to suit ASME BPE size				Outlet/Flushing port		Dimensions (mm)					Weight (kg)
	1/2"	3/4"	1"	1-1/2"	6.0mm barb	1/2" BPE clamp*	ØA	ØB	C	D	E	
	✓	✓			✓		25	6.0	65	47	49	0.15
	✓	✓				✓	25	25	65	39.5	45	0.15
			✓	✓	✓		50.5	6.0	65	47	49	0.2
			✓	✓		✓	50.5	25	65	39.5	45	0.2
	✓	✓			✓		25	6.0	65	47	49	0.15
	✓	✓				✓	25	25	65	39.5	45	0.15
			✓	✓	✓		50.5	6.0	65	47	49	0.2
			✓	✓		✓	50.5	25	65	39.5	45	0.2

\*1/2" ASME BPE 25mm clamp fitting with 4mm bore

Service Parts - Membrane part 4

## Staitech

Unit 6, Canal Iron Works, Hope Mill Lane,  
Brimscombe, Stroud, GL5 2SH, UK

T. +44 (0) 1453 882736 / sales@staitech.com / www.staitech.com