

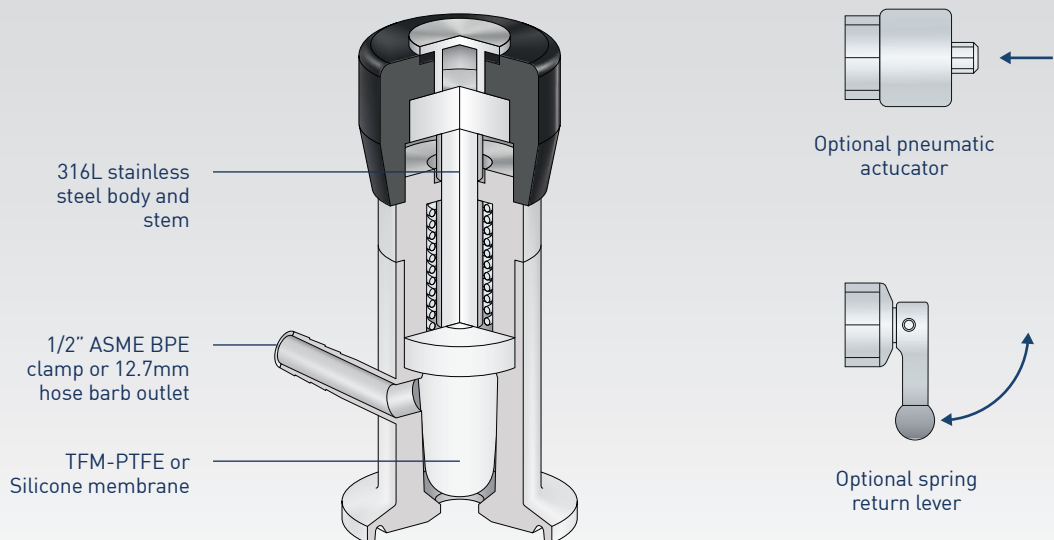
HSV50 SAMPLE VALVE

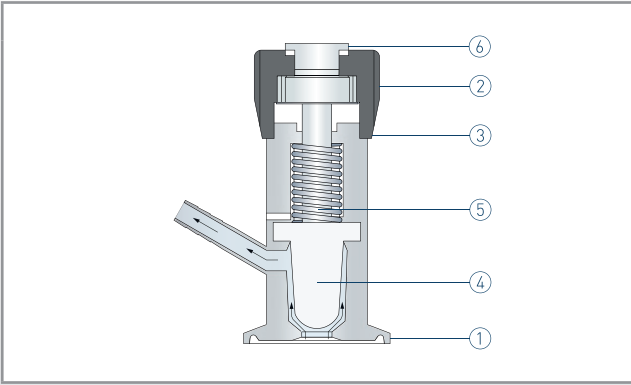


HSV50

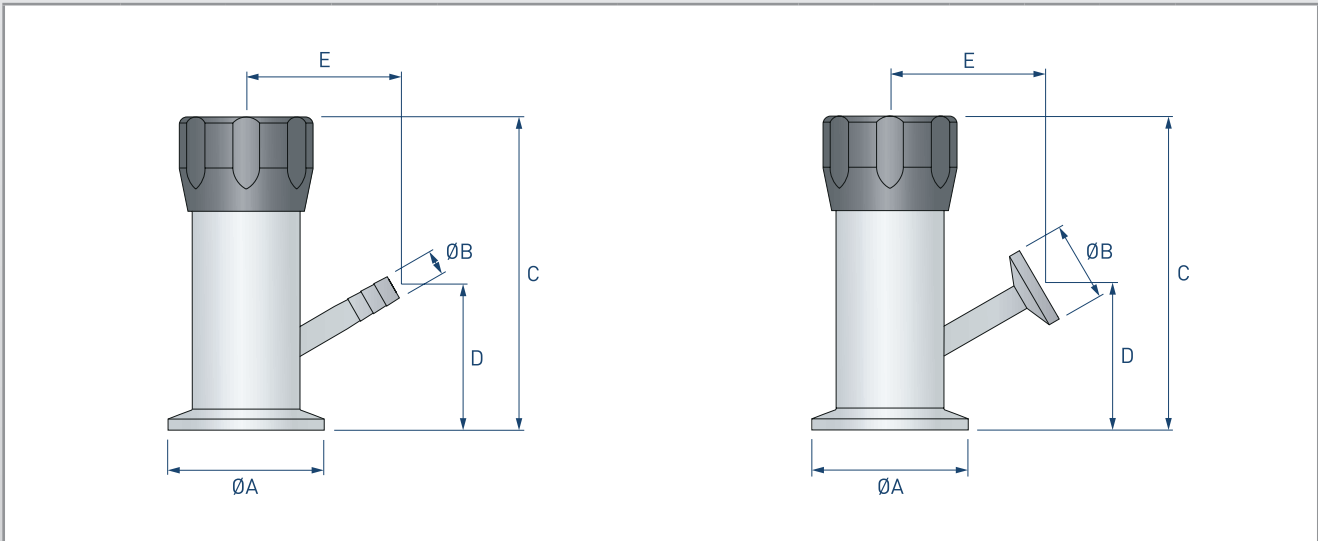
The HSV50 range are intended for liquid and product sampling in high purity applications. The valve utilises a unique one-piece stem seal membrane for optimised valve sterility and ease of cleaning. Valves are available with a wide range of connection options and outlet port configurations. The HSV50 sample valve is suitable for SIP, CIP and autoclaving.

P Pressure Rating	Up to 10 barg
T Temperature Rating	Up to 150°C
C Connections	Inlet - 1" / 1-1/2" or 2" ASME BPE clamp Outlet - 1/2" ASME BPE clamp or 12.7mm hose barb
O Orifice Diameter	5.0mm
S Seal Material	TFM-PTFE or Silicone
W Surface Finish	Wetted surfaces - 0.5 microns Ra and electropolished (SF1) External surfaces - 0.8 microns Ra and electropolished
✓ Options	Threaded or weld system connection Flushing port Spring return lever Pneumatic actuator
C Certification	Certificate of conformity Material certification FDA elastomer compliance certificates USP elastomer compliance certificates Certified 'Animal derived ingredient' free





Part	Description	
1	Body	316L stainless steel
2	Handle	316L stainless steel
3	Stem	316L stainless steel
4	Membrane	TFM-PTFE or Silicone
5	Spring	Stainless steel
6	Handle insert	Stainless steel
-	Dust cap	Silicone



	Inlet - to suit ASME BPE size			Outlet/Flushing port		Dimensions (mm)					Weight (kg)
	1"	1-1/2"	2"	12.7mm barb	1/2" BPE clamp*	ØA	ØB	C	D	E	
	✓	✓	✓	✓		50.5	12.7	101	47	48.5	0.6
	✓	✓	✓		✓	50.5	25	101	46.5	50	0.6
	✓	✓	✓	✓		50.5	12.7	101	47	48.5	0.6
	✓	✓	✓		✓	50.5	25	101	46.5	50	0.6

Service Parts - Membrane part 4