

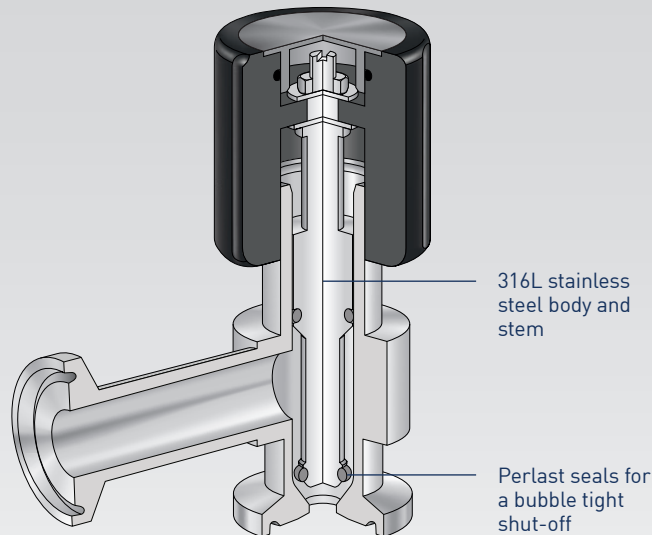
HSV60 SAMPLE VALVE



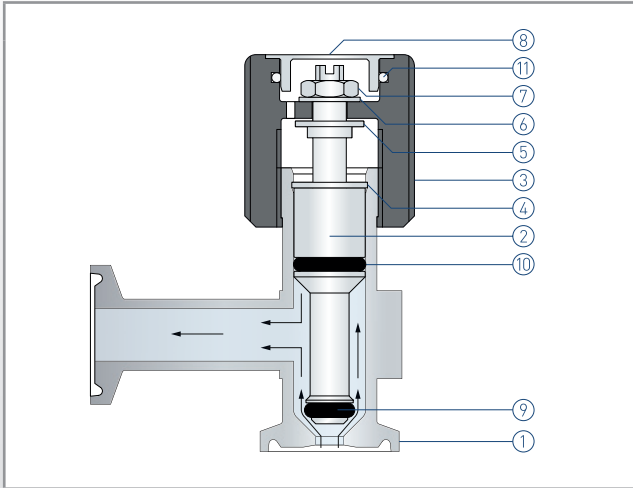
HSV60

Designed for use in high purity steam systems, the HSV60 utilises steam resilient Perlast seals to ensure optimum service life and bubble tight shut-off. The HSV60 is designed to connect directly onto HSC30 and HSC60 sample coolers and can also be used for any general steam sampling application where a throttling valve is required.

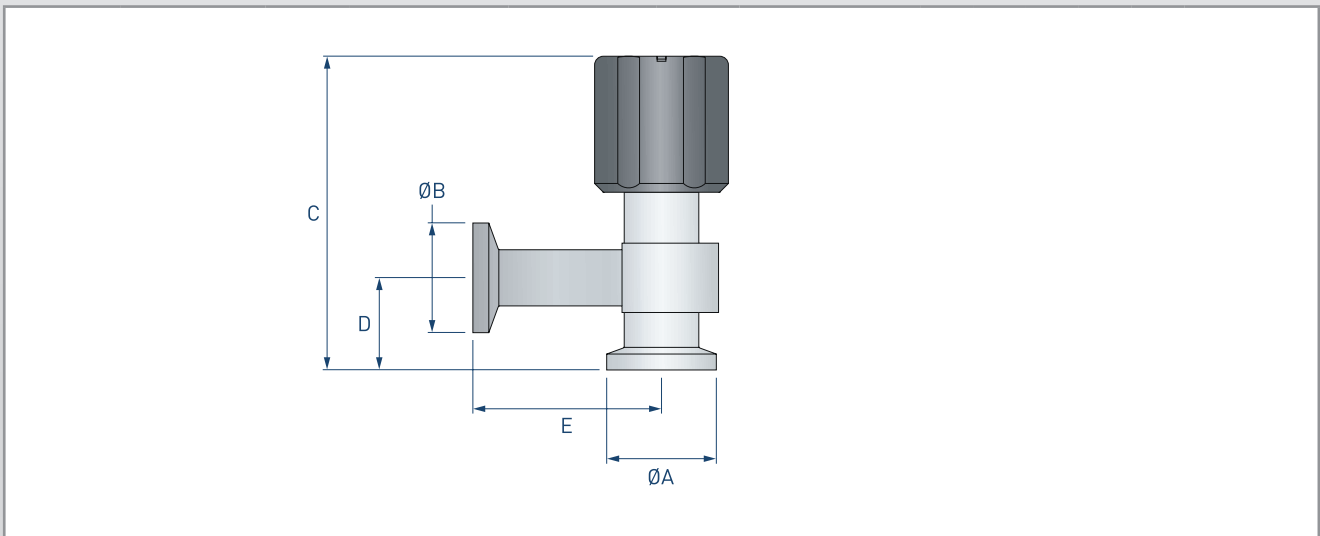
P Pressure Rating	Up to 8 barg
T Temperature Rating	Up to 176°C
I Connections	Inlet - 1/2" - 2" ASME BPE clamp Outlet - 1/2" ASME BPE clamp
Ø Orifice Diameter	5.0mm
👁 Seal Material	Perlast
📏 Surface Finish	Wetted surfaces - 0.5 microns Ra and electropolished (SF1) External surfaces - 0.8 microns Ra and electropolished
✓ Options	DIN and ISO connections
C Certification	Certificate of conformity Material certification FDA elastomer compliance certificates USP elastomer compliance certificates Certified 'Animal derived ingredient' free



HSV60 SAMPLE VALVE



Part	Description	
1	Body	316L stainless steel
2	Stem	316L stainless steel
3	Handle	Polyetherimide
4	Circlip	Stainless steel
5	Shim washer	Stainless steel
6	Washer	Stainless steel
7	Nut	Stainless steel
8	Handle insert	Stainless steel
9	Seat seal	Perlast
10	Stem seal	Perlast
11	Handle insert seal	EPDM



ASME BPE ISO DIN	System connection					1/2" BPE clamp** 25mm clamp** 25mm clamp**	Dimensions (mm)					Weight (kg)
	1/2" DN8 & DN10	3/4" DN15*	1" DN20	1-1/2" DN25 & DN32	2" DN40		ØA	ØB	C	D	E	
	✓	✓				✓	25	25	72	21	43	0.15
			✓	✓		✓	50.5	25	72	21	43	0.20
					✓	✓	64	25	72	21	43	0.20

Service Parts - Seal kit comprising parts 9 and 10