

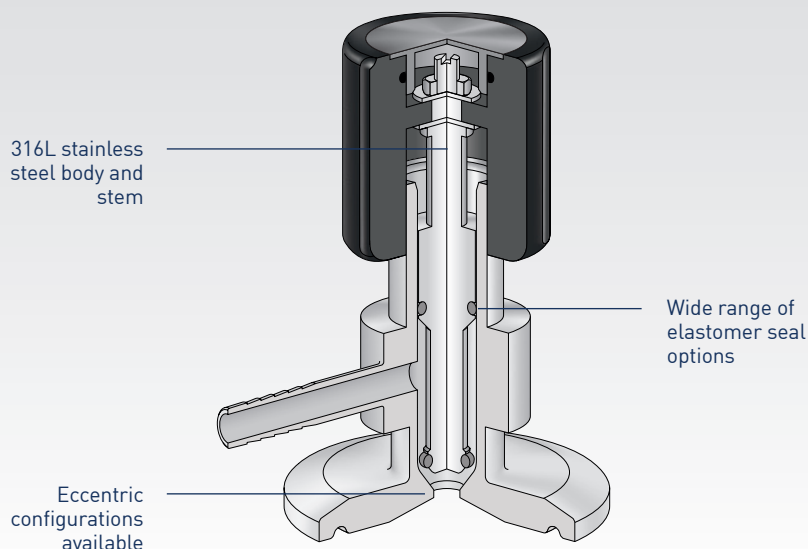
HSV90 SAMPLE VALVE

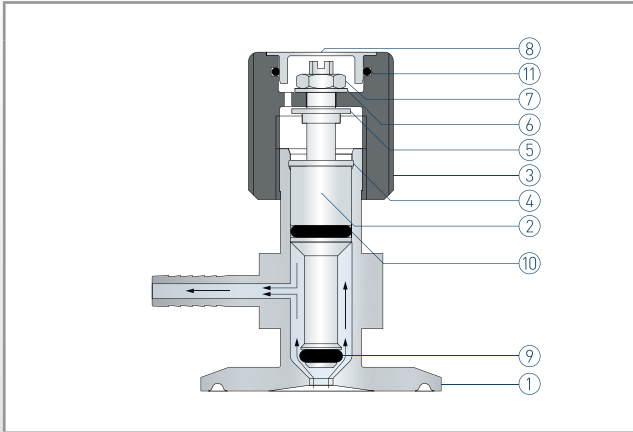


HSV90

The HSV90 is intended for liquid sampling applications in high purity systems. Wetted parts are manufactured in 316L stainless steel with a range of FDA and USP compliant elastomer seal materials available. The HSV90 is suitable for both in-line sterilising and autoclaving. A wide range of ASME BPE, DIN and ISO system connections are available to include eccentric configurations which allow total system drainability.

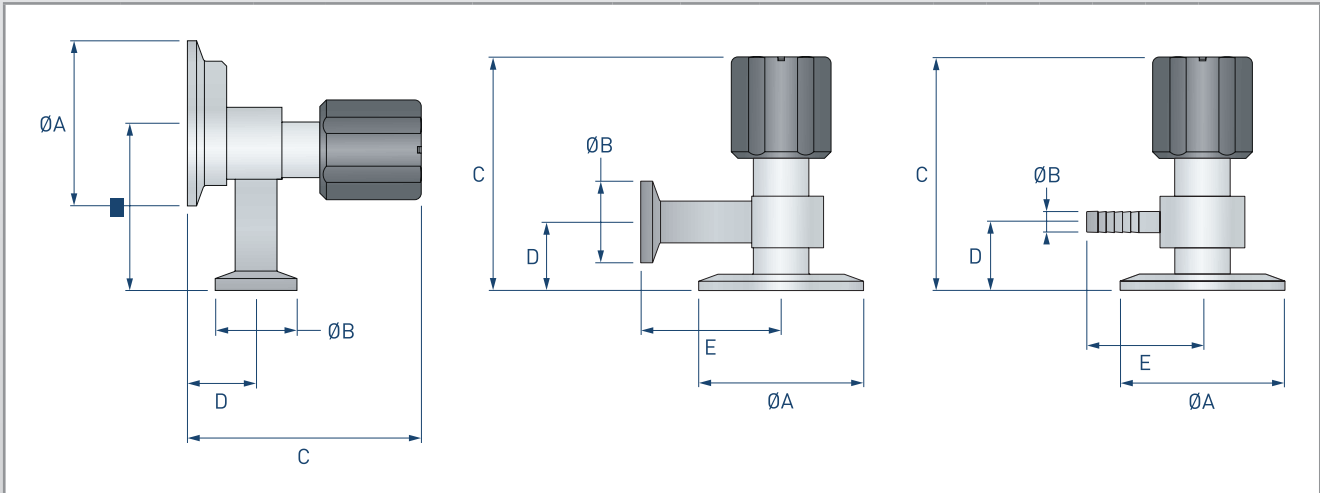
P Pressure Rating	Up to 10 barg
T Temperature Rating	Up to 150°C with EPDM seals 200°C with Viton, Silicone or Perlast seals
1 Connections	Inlet - 1/2" - 2" ASME BPE clamp Outlet - 1/2" ASME BPE clamp or 6.5mm hose barb Inlet - DN8 - DN40 ISO clamp Outlet - DN8 ISO clamp or 6.5mm hose barb Inlet - DN8 - DN50 DIN clamp Outlet - DN10 DIN clamp or 6.5mm hose barb
📏 Orifice Diameter	5.0mm
🌀 Seal Material	EPDM, Viton, Silicone or Perlast
📏 Surface Finish	Wetted surfaces - 0.38 microns Ra and electropolished (SF1) External surfaces - 0.8 microns Ra and electropolished
✓ Options	Flushing port
C Certification	Certificate of conformity Material certification FDA elastomer compliance certificates USP elastomer compliance certificates Certified 'Animal derived ingredient' free





Part	Description	
1	Body	316L stainless steel
2	Stem	316L stainless steel
3	Handle	Polyetherimide
4	Circlip	Stainless steel
5	Shim washer	Stainless steel
6	Washer	Stainless steel
7	Nut	Stainless steel
8	Handle insert	316L stainless steel
9	Seat seal	EPDM, Viton, Silicone or Perlast
10	Stem seal	EPDM, Viton, Silicone or Perlast
11	Handle insert seal	EPDM
-	Dust cap*	Silicone

*Fitted on hose barb option only



ASME BPE ISO DIN	System connection					Outlet 6.5 mm barb	Dimensions (mm)					Weight (kg)
	1/2" DN8 & DN10	3/4" DN15*	1" DN20	1-1/2" DN25 & DN32	2" DN40		ØA	ØB	C	D	E	
	✓	✓				✓	25	6.5	72	21	36	0.15
	✓	✓					25	25	72	21	43	0.15
			✓	✓		✓	50.5	6.5	72	21	36	0.2
			✓	✓			50.5	25	72	21	43	0.2
					✓	✓	64	6.5	72	21	36	0.2
					✓		64	25	72	21	43	0.2
			✓			✓	50.5	6.5	72	21	36	0.2
			✓				50.5	25	72	21	43	0.2

*ISO DN15, DIN DN8 - DN20 available with 25mm or 34mm clamp connections. ISO DN15 available with 50.5mm clamp connection

**When a system connection is a 50.5mm or 64.0mm clamp, the clamp connection will be 25mm. When the system clamp connection is 34mm the outlet will also be a 34mm clamp

Service Parts - Seal kit comprising parts 9 and 10

Staitech

Unit 6, Canal Iron Works, Hope Mill Lane,
Brimscombe, Stroud, GL5 2SH, UK

T. +44 (0) 1453 882736 / sales@staitech.com / www.staitech.com