

HSV90A SAMPLE VALVE

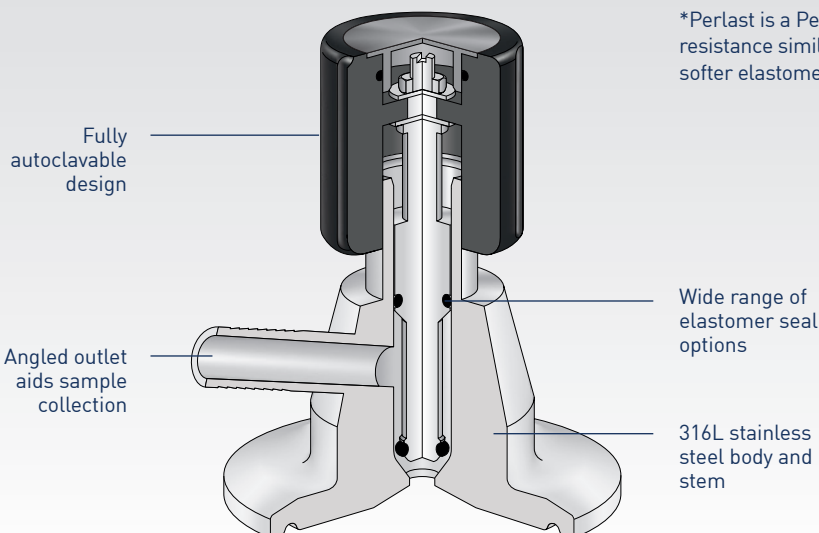


HSV90A

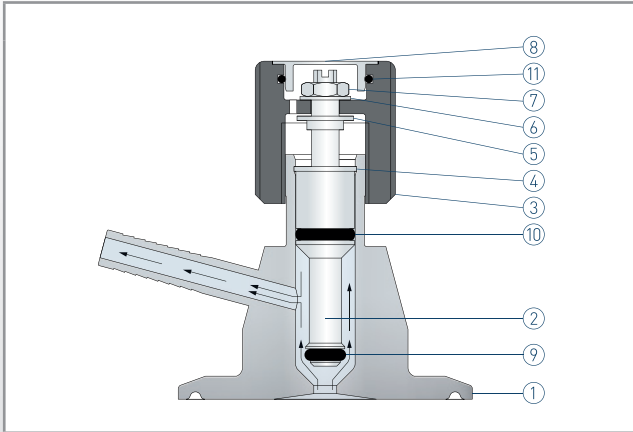
The HSV90A is intended for liquid sampling applications in high purity systems. Wetted parts are manufactured in 316L stainless steel with a range of FDA and USP compliant elastomer seal materials available. The HSV90A is suitable for both in-line sterilising and autoclaving. A wide range of ASME BPE, DIN and ISO system connections are available. The HSV90A is available with 5mm and 9.5mm orifices and has an angled outlet designed to aid sample collections.

P Pressure Rating	Up to 10 barg
T Temperature Rating	Up to 150°C with EPDM seals 200°C with Viton, Silicone or Perlast* seals
I Connections	Standard capacity model Inlet - 1" / 1-1/2" and 2" ASME BPE clamp Outlet - 8mm hose barb or 1/2" ASME BPE clamp High capacity model Inlet - 1" / 1-1/2" and 2" ASME BPE clamp Outlet - 12.7mm hose barb or 1/2" ASME BPE clamp
Orifice Diameter	5.0mm and 9.5mm
Seal Material	EPDM, Viton, Silicone or Perlast*
Surface Finish	Wetted surfaces - 0.38 microns Ra and electropolished (SF4) External surfaces - 0.8 microns Ra and electropolished
Options	Flushing port Larger sizes Alternative connection types - DIN and ISO variants
C Certification	Certificate of conformity Material certification FDA elastomer compliance certificates USP elastomer compliance certificates Certified 'Animal derived ingredient' free

*Perlast is a Perfluoroelastomer FFKM material offering a chemical resistance similar to PTFE, whilst retaining the elastic behaviour of a softer elastomeric material.

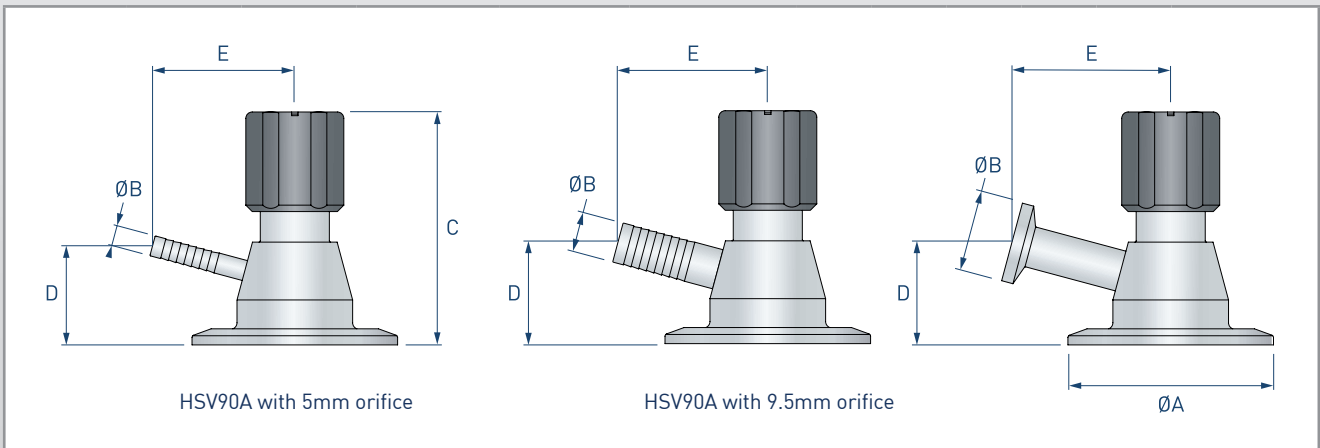


HSV90A SAMPLE VALVE



Part	Description	
1	Body	316L stainless steel
2	Stem	316L stainless steel
3	Handle	Polyetherimide
4	Circlip	Stainless steel
5	Shim washer	Stainless steel
6	Washer	Stainless steel
7	Nut	Stainless steel
8	Handle insert	316L stainless steel
9	Seat seal	EPDM, Viton, Silicone or Perlast
10	Stem seal	EPDM, Viton, Silicone or Perlast
11	Handle insert seal	EPDM
-	Dust cap*	Silicone

*Fitted on hose barb option only



ASME BPE	Outlet			Dimensions (mm)					Weight (kg)		
	1" / 1/2"	2"	6.5 mm barb	12.7 mm barb	1/2" BPE clamp	ØA	ØB	C		D	E
	✓		✓			50.5	6.5	72	32	49	0.1
	✓			✓		50.5	12.7	72	32	49	0.1
	✓				✓	50.5	25	72	32	49	0.1
		✓	✓			64	6.5	72	32	49	0.1
		✓		✓		64	12.7	72	32	49	0.1
		✓			✓	64	25	72	32	49	0.1

Service Parts - Seal kit comprising parts 9, 10 and 11