



The LP range offer a cost effective solution for live isolation in non-critical pharmaceutical installations. Standard LP valves have open PTFE seats which are suitable for gas, liquid and low pressure steam applications. LP valves are suitable for use in environments requiring ATEX certifications. As with all Vinco models, the LP range can be supplied with a range of pneumatic or electric actuators.

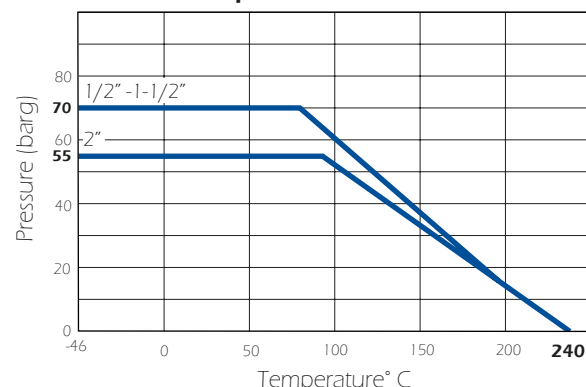


#### Tank Bottom valves

The LP range can be supplied with a tank outlet pad on one side for direct welding in to a process vessel or storage tank. The pad thickness and profile can be tailored to match individual vessel or tank designs. Further information covering the LP range of tank outlet pads is available upon request.



#### Pressure and Temperature



#### Connections

1/2" - 2" ASME BPE clamp  
1/2" - 2" ASME BPE weld ends



#### Seat and Seal Materials

Seats - PTFE  
Body seals - PTFE  
Stem seals - PTFE and PEEK



#### Surface Finish

Wetted inlet surfaces - 0.5 microns Ra  
External surfaces - as cast  
(where external polish is required see RP series)



#### ATEX

Rated to **CE** II 2 GD c



#### Options

PTFE cavity filled seats  
Enhanced surface finishes and electropolishing  
Special cleaning for O<sub>2</sub> service  
Locking devices and stem extensions  
DIN, ISO and SMS sizes  
3 and 4 way valves - MP Series  
Pneumatic and electric actuation packages



#### Available Certification

- CofC** Certificate of Conformity

---

- MTR's** Material Certification

---

- FDA** FDA Elastomer compliance certificates

---

- USP** USP Elastomer compliance certificates

---

- ADI** Certified 'Animal Derived Ingredient' free

---

- EXATEX** ATEX zone compliance certification

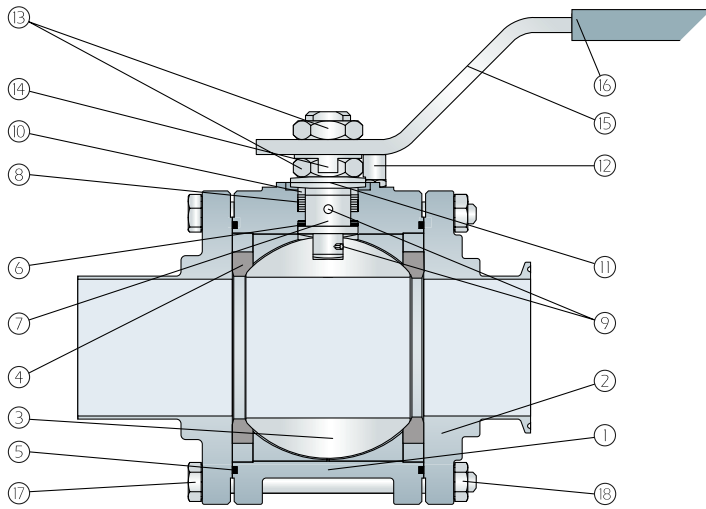


#### Supplier Partner

Staitech are a nominated partner of Vinco valve of Portugal, stocking and distributing the company's extensive range of high purity ball valves. For further information on the Vinco range visit the Staitech website or [www.vincovalves.com](http://www.vincovalves.com)

# LP SERIES

## Ball valve



Part	Description	
1	Body	316L stainless steel (CF3M/BPE)
2	End cap	316L stainless steel (CF3M/BPE)
3	Ball	316L stainless steel
4	Seat	PTFE
5	Body seal	PTFE
6	Thrust washer	TFM
7	Stem	316L stainless steel
8	Gland packing	PTFE and PEEK
9	Earthing ball	316 stainless steel
10	Gland bush	316L stainless steel
11	Belleville washer	304 stainless steel
12	Stop	304 stainless steel
13	Stem nut	304 stainless steel
14	Stem washer	304 stainless steel
15	Handle	304 stainless steel
16	Handle sleeve	Vinyl
17	Bolt	304 stainless steel
18	Nut	Stainless steel

Dimensional drawings of the ball valve showing various measurements (D, E, C, G, H, J, etc.) and a table of dimensions for different sizes.

	Size	Dimensions (mm)										Weight (kg)
	(ASME BPE)	ØA	ØB	C	D	E	F	G	H	I	J	
	1/2"	25	12.7	21	62	130	38	102	89	30	40	0.5
	3/4"	25	19.05	25	67	130	42	114	102	30	50	1
	1"	50.5	25.4	31	87	170	54	127	114	30	62	1.8
	1-1/2"	50.5	38.1	42	102	200	69	152	140	30	84	4
	2"	64	50.8	53	116	250	84	178	165	32	106	6.8

# Staitech

Staitech Ltd · PO Box 152 · Stroud  
Glos · GL6 8YT · UK

Tel: +44 (0) 1543 882736 · Fax: +44 (0) 1543 882744  
E-mail: sales@staitech.com · Web: www.staitech.com  
Specifications subject to change without notice. LP-TB - 01/16