

Staitech

VSA - TC Needle valve Dimensions

Needle valve VSA-TC

The Sanitary NEEDLE valves VS-TC are machined from solid round bar in stainless steel AISI 316L, may be clamp connected with clamp fittings according BS or orbital welded onto a piping system for pipe standard according ASTM A269/270.

The VSA-TC are ideal for fine regulation of high pressure fluids in purity systems applications.

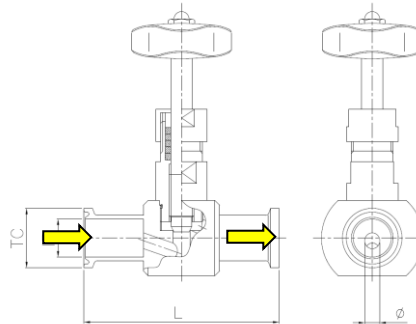
Flow direction

FLUID FLOW IN ONE DIRECTION ONLY

see the arrow marked on the body

Advantages:

- Steamable in line
- High temperature and pressure resistant
- Meets FDA specifications
- Full material traceability



Dimensions table

CODE	INCH	DN	ØTC	ID	L	Ø
VSA-049Z60050PTF-71A-R	1/2"	15	25	9,4	101,6	5,5
VSA-049Z60075PTF-71A-R	3/4"	20	25	15,75	101,6	7,0
VSA-049Z60100PTF-71A-R	1"	25	50,5	22,1	114,3	9,0
VSA-049Z60150PTF-71A-R	1 1/2"	40	50,5	34,8	139,7	11,5
VSA-049Z60200PTF-71A-R	2"	50	64	47,5	158,8	17,0

L overall length =LTC clamped

special extended tube for orbital welding or BSP screw connections available on request

Operating conditions:

Maximum working pressure 10 barg at 21°C
Working temperature from 0°C to 150°C

Material:

valve body AISI 316L stainless steel
needle guide AISI 316L stainless steel
needle stem AISI 316L stainless steel
stem seat PTFE
sealing head AISI 316L stainless steel
knob Thermoplastic (not autoclavable)

Surface finish:

product contact surfaces are finish with Ra<0,5 micron or better

