

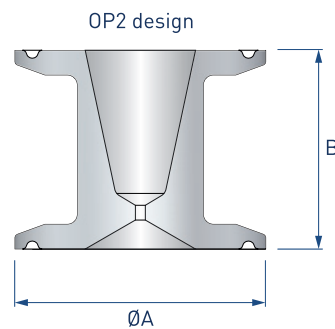
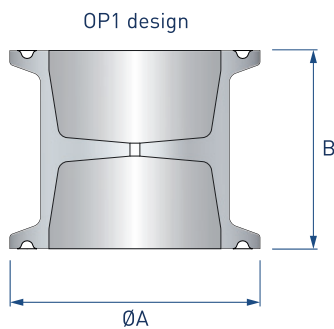


ORIFICE SPOOLS

Orifice spools are available in two designs from Staitech. The OP1 is a square edge design where the face of the orifice has a flat profile. The OP2 is a conical design that utilises a tapered profile to reduce the bore to the orifice size. The OP1 and OP2 designs are manufactured from 316L stainless steel with wetted surfaces finished to 0.5 microns Ra. Both types are supplied solid for drilling on site or by Staitech.

- Connections** To suit DN8 - DN65 ISO and DIN clamp fittings
- Material** 316L stainless steel
- Surface Finish** Wetted surfaces - 0.5 microns Ra (SF1)
External surfaces - 0.8 microns Ra
- Options**
 - Larger sizes
 - ASME BPE clamp sizes
 - Low ferrite stainless steel (WN1.4435), C22 and other alloys
 - Electropolished finish (SF4)
- Certification** Certificate of conformity
Material certification
Certified 'Animal derived ingredient' free

Orifice Spools



Clamp size (ISO)	ØA (mm)	Clamp size (DIN)	ØA (mm)	B (mm)	Weight (kg)
DN8 & DN10	25	DN6 & DN8	25	40	0.10
DN15	34	DN20, DN15 & DN20	34	40	0.15
DN15, DN20 & DN25	50.5	DN25, DN32 & DN40	50.5	40	0.18
DN32 & DN40	64	DN50	64	50	0.35
DN50	77.5	DN50	77.5	50	0.40
DN65	91	DN65	91	50	0.45

Orifice Machining - All orifice spools are supplied undrilled as standard. Staitech offer a machining service to cover both orifice designs. The OP1 design can be machined with both concentric and eccentric holes. The OP2 design is available with concentric hole only.

Orifice Spools - ordering code		
Clamp size	OP1 square edge design	OP2 conical design
DN8 ISO	OP1-C-25.0-10.3	OP2-C-25.0-10.3
DN10 ISO	OP1-C-25.0-14.0	OP2-C-25.0-14.0
DN15 ISO (34mm clamp)	OP1-C-34.0-18.1	OP2-C-34.0-18.1
DN15 ISO (50.5mm clamp)	OP1-C-50.5-18.1	OP2-C-50.5-18.1
DN20 ISO	OP1-C-50.5-23.7	OP2-C-50.5-23.7
DN25 ISO	OP1-C-50.5-29.7	OP2-C-50.5-29.7
DN32 ISO	OP1-C-64.0-38.4	OP2-C-64.0-38.4
DN40 ISO	OP1-C-64.0-44.3	OP2-C-64.0-44.3
DN50 ISO	OP1-C-77.5-56.3	OP2-C-77.5-56.3
DN8 DIN	OP1-C-34.0-8.0	OP2-C-34.0-8.0
DN10 DIN	OP1-C-34.0-10.0	OP2-C-34.0-10.0
DN15 DIN	OP1-C-34.0-15.0	OP2-C-34.0-15.0
DN15 DIN	OP1-C-34.0-20.0	OP2-C-34.0-20.0
DN25 DIN	OP1-C-50.5-25.0	OP2-C-50.5-25.0
DN32 DIN	OP1-C-50.5-32.0	OP2-C-50.5-32.0
DN40 DIN	OP1-C-50.5-38.0	OP2-C-50.5-38.0
DN50 DIN	OP1-C-50.5-50.0	OP2-C-50.5-50.0
Specification text		
Staitech OP1 square edge orifice spool manufactured from 316L stainless steel. DN8 ISO clamp connections. Wetted surfaces finished to 0.5 microns Ra. External surfaces finished to 0.8 microns Ra. (OP1-C-25.0-10.3). For electropolished finish add suffix '-EP' (OP1-C-25.0-10.3-EP).		
Orifice machining		
For a concentric hole add suffix '-C' followed by the hole size in mm. (OP1-C-25.0-10.3-C-5.0, OP1-C-25.0-10.3-C-5.0-EP if electropolished). For an eccentric hole add the suffix '-E' followed by the hole size in mm. (OP1-C-25.0-10.3-E-5.0, OP1-C-25.0-10.3-E-5.0-EP if electropolished).		