



#### Manual valves

Utilising forged stainless steel bodies in combination with the latest generation diaphragm materials ensures that the Pure-Flo range surpasses all current industry standards for diaphragm valves. Staitech offer Pure-Flo valves fitted with a 970 series stainless steel bonnet and choice of FDA and USP compliant EPDM or PTFE diaphragms. Wetted surfaces are finished to the ASME BPE SF1 classification of 0.5 microns Ra.

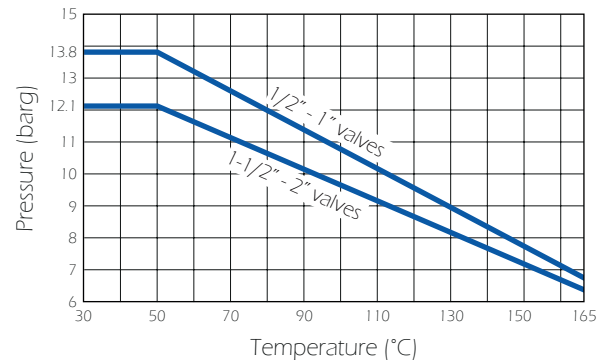


#### Actuated valves

In addition to manual valves, the Pure-Flo range is also offered fitted with ITT's Advantage pneumatic actuator. Further options to include solenoids and switch boxes are also available.



#### Pressure



#### Temperature

EPDM diaphragm  
 -20°C to 90°C for liquid applications  
 140°C for continuous steam  
 150°C for intermittent steam  
 TME diaphragm  
 -20°C to 165°C for all media



#### Connections

1/2" - 2" ASME BPE clamp  
 1/2" - 2" ASME BPE weld ends



#### Diaphragm Material

EPDM  
 TME PTFE with EPDM backing cushion



#### Surface Finish

Wetted surfaces - 0.5 microns Ra  
 External surfaces - as forged finish



#### Options

2-1/2" - 6" sizes  
 Enhanced surface finishes and electropolishing  
 Adjustable opening stop with visual indicator  
 Feedback switch  
 Locking handwheel  
 ATEX certified valves  
 Block body valve configurations



#### Available Certification

- CofC** Certificate of Conformity
- MTR's** Material Certification
- FDA** FDA Elastomer compliance certificates
- USP** USP Elastomer compliance certificates
- ADI** Certified 'Animal Derived Ingredient' free

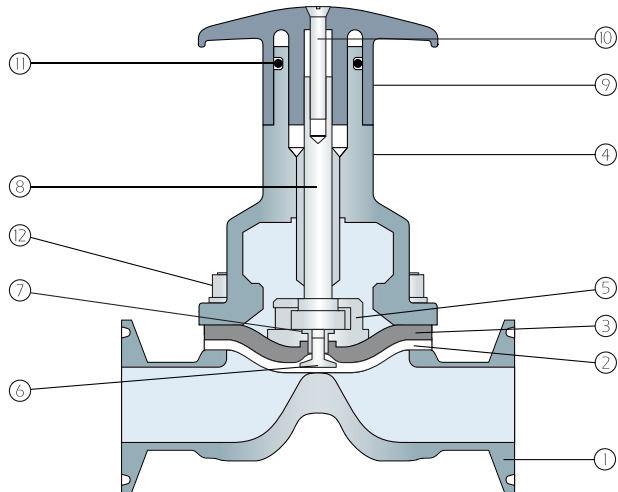


#### Supplier Partner

Staitech are a nominated partner of ITT Pure-Flo, stocking and distributing the company's extensive range of high purity diaphragm valves. For further information on the ITT Pure-Flo range visit the Staitech website or [www.ittpureflo.com](http://www.ittpureflo.com)

# Pure-Flo Series

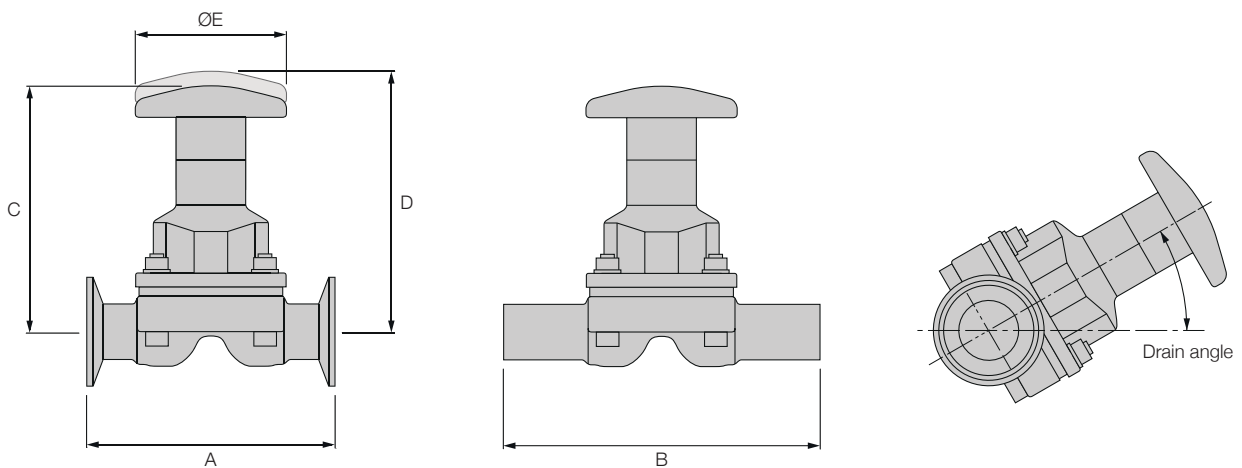
## Diaphragm valve



Part	Description	
1	Body	316L stainless steel
2	Diaphragm	EPDM or TME PTFE
3	Backing cushion*	EPDM
4	Bonnet	316L stainless steel
5	Compressor	316L stainless steel
6	Stud	Brass
7	Tube nut	Brass
8	Spindle	316L stainless steel
9	Handwheel	PAS (Polyarylsulphone)
10	Travel stop screw	Stainless steel
11	O-ring	Viton
12	Body fasteners	Stainless steel

\*Only used with TME diaphragm

### Pure-Flo valve with 970 bonnet



	Size	Dimensions (mm)					Kv rating (m <sup>3</sup> /h)	Drain angle	Weight (kg)
	ASME BPE	A	B	C	D	ØE			
	1/2"	89	130	93	100	70	2.9	30°	0.85
	3/4"	102	140	99	108	70	5.4	30°	1.0
	1"	114	149	115	127	70	11.8	30°	1.5
	1-1/2"	140	178	149	170	133	24.2	28°	3.6
	2"	159	194	165	193	113	44.1	28°	5.0



#### Packaging

Individually capped and bagged

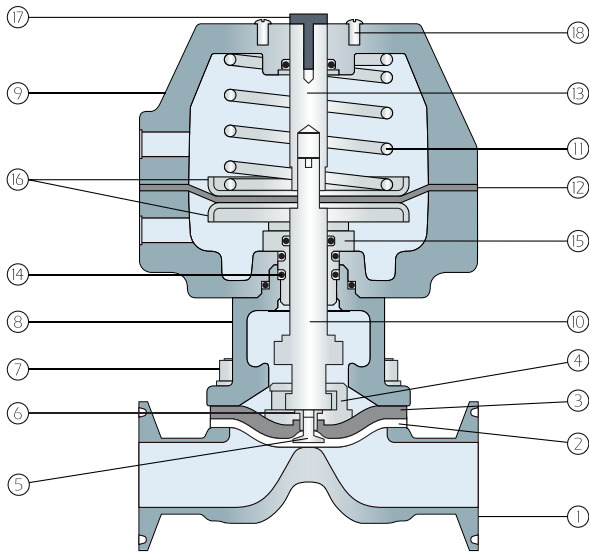


#### Service Parts

EPDM diaphragm part 2  
 TME diaphragm with backing cushion parts 2 and 3  
 Actuator refurbishment available by ITT

# Pure-Flo Series

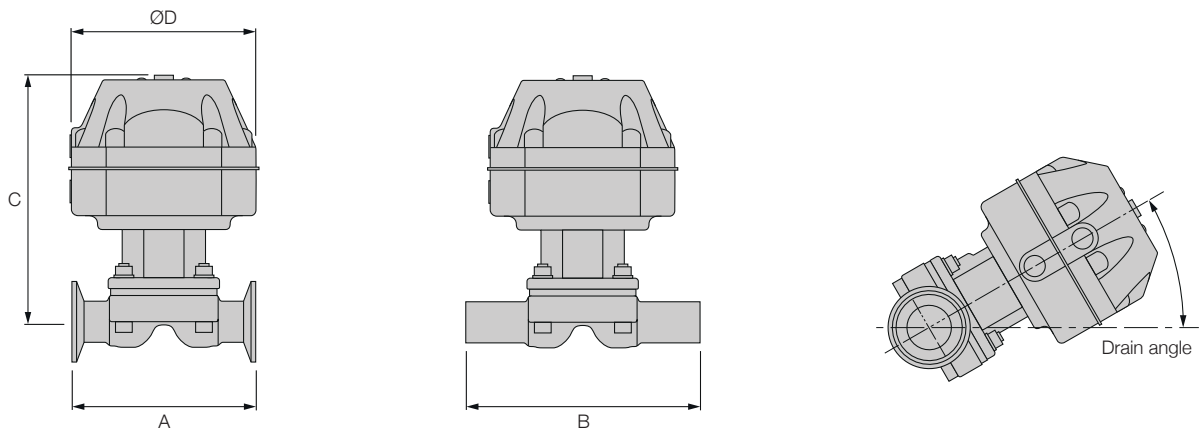
## Diaphragm valve



Part	Description
1	Body 316L stainless steel
2	Diaphragm EPDM or TME PTFE
3	Backing cushion* EPDM
4	Compressor 316L stainless steel
5	Stud Brass
6	Tube nut Brass
7	Body fasteners Stainless steel
8	Bonnet 316L stainless steel
9	Actuator body PAS (Polyarylsulphone)
10	Spindle 316L stainless steel
11	Spring Steel
12	Diaphragm Buna-N
13	Upper spindle 316L stainless steel
14	O-ring (All positions) Viton
15	Bush Brass
16	Spring plate Stainless steel
17	Plug Plastic
18	Switch box mounting screws Stainless steel
19	Housing screws (not illustrated) Stainless steel
20	Housing screw caps (not illustrated) Rubber

\*Only used with TME diaphragm

### Pure-Flo valve with Advanage Actuator



	Size	Actuator model	Dimensions (mm)				Drain angle	Weight (kg)
	ASME BPE		A	B	C	ØD		
	1/2"	Advantage B206	89	130	110	85	30°	1.9
	3/4"	Advantage B209	102	140	142	116	30°	2.2
	1"	Advantage B209	114	149	154	116	30°	2.6
	1-1/2"	Advantage B217	140	178	244	163	28°	8.0
	2"	Advantage B217	159	194	255	163	28°	9.5



#### Operation

Spring return - fail open or fail close

Double acting

Air pressure required to operate fail closed actuator - 6.2 barg

Fail closed actuator will shut against 10.3 barg line pressure

Consult Staitech for air pressure requirements for fail open and double acting actuators



#### Options

Switches

Solenoids

# Staitech

Staitech Ltd · PO Box 152 · Stroud  
Glos · GL6 8YT · UK

Tel: +44 (0) 1543 882736 · Fax: +44 (0) 1543 882744

E-mail: sales@staitech.com · Web: www.staitech.com

Specifications subject to change without notice. PF970-TB - 06/15