



The RP range of valves are manufactured from bar and can be supplied in any grade of stainless steel, C22 alloy or duplex grade materials. The external body surfaces of the RP range are polished as standard making them an ideal choice for clean room applications. Where valves are to be used on vessel outlets, tank weld pads are available.

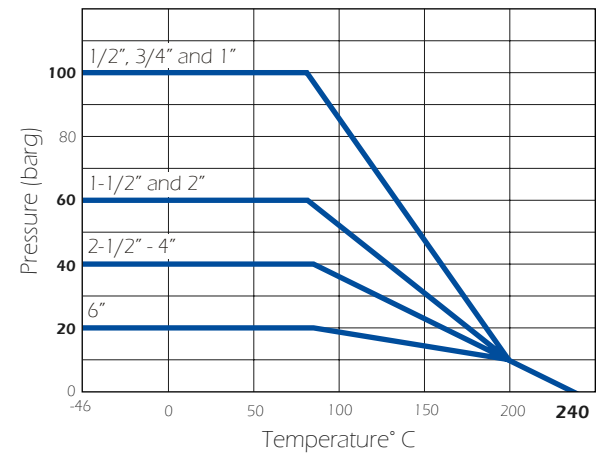


#### MP - 3 and 4 way valves

The MP range are available in 3 and 4 way configurations with either 'L' or 'T' port ball design. As with the RP, the MP is machined from bar, so can be produced in a wide range of materials in any size up to 2".



#### Pressure and Temperature



#### Connections

1/2" - 6" ASME BPE clamp  
1/2" - 6" ASME BPE weld ends



#### Seat and Seal Materials

Seats - TFM  
Body seals - PTFE  
Stem seals - PTFE and PEEK



#### Surface Finish

Wetted inlet surfaces - 0.5 microns Ra  
External surfaces - mirror polish - 0.5 microns Ra



#### ATEX

Rated to **CE** **II 2 GD c**



#### Options

Alternative seat materials - PTFE and PEEK  
Cavity filled seats - TFM, PTFE and PEEK  
Enhanced surface finishes and electropolishing  
Special cleaning for O2 service  
Locking devices and Stem extensions  
DIN, ISO and SMS sizes  
Low ferrite stainless steel, C22 and other alloys  
Tank bottom valves



#### Available Certification

- CofC** Certificate of Conformity
- MTR's** Material Certification
- FDA** FDA Elastomer compliance certificates
- USP** USP Elastomer compliance certificates
- ADI** Certified 'Animal Derived Ingredient' free
- EXATEX** ATEX zone compliance certification

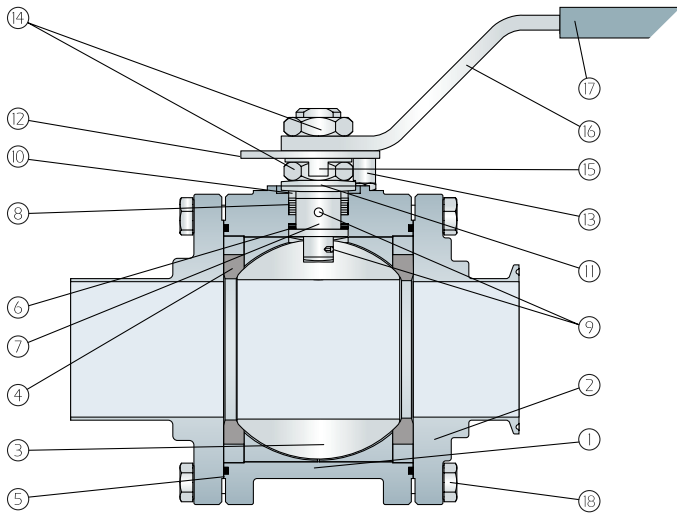


#### Supplier Partner

Staitech are a nominated partner of Vinco valve of Portugal, stocking and distributing the company's extensive range of high purity ball valves. For further information on the Vinco range visit the Staitech website or [www.vincovalves.com](http://www.vincovalves.com)

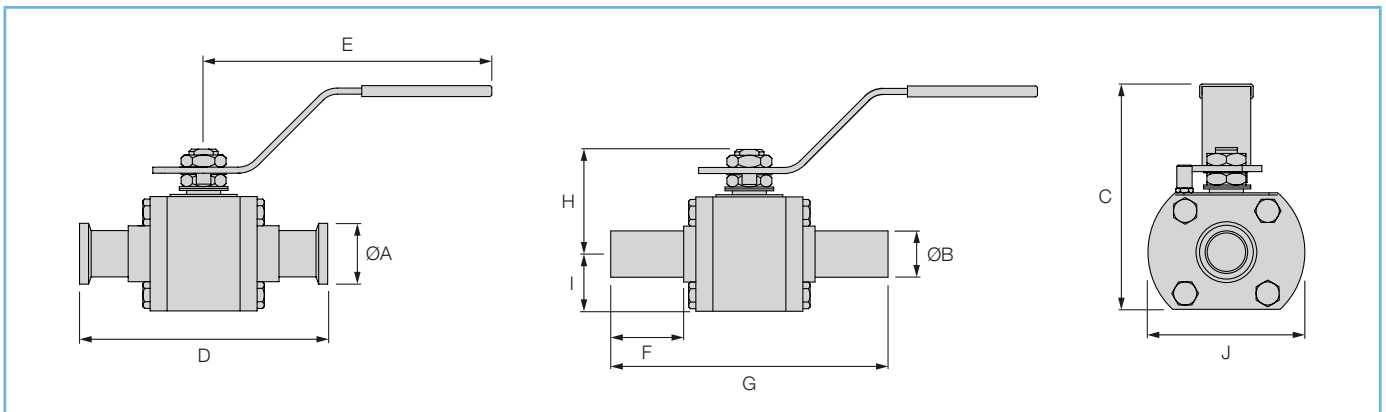
# RP SERIES

## Ball valve

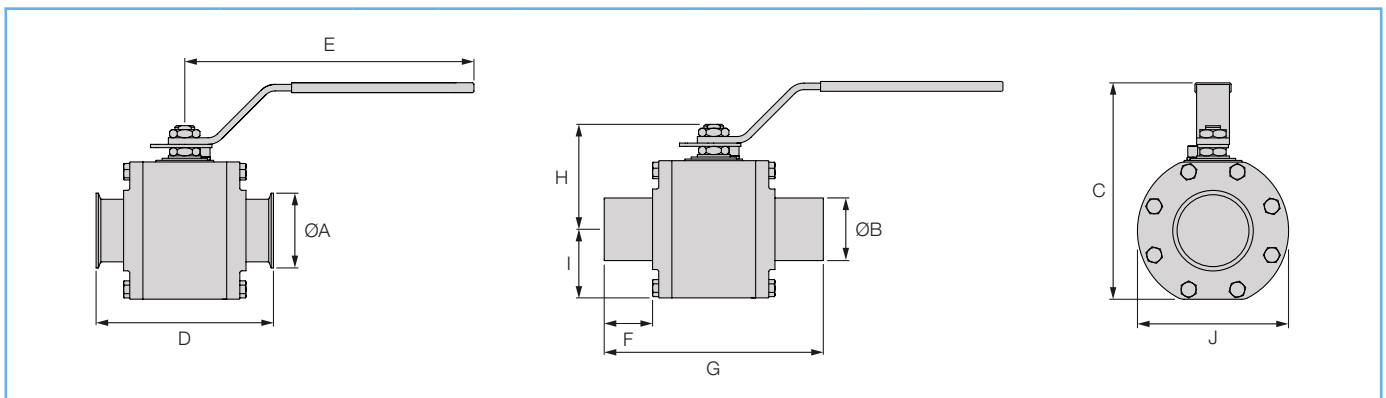


Part	Description	
1	Body	316L Stainless steel
2	End cap	316L Stainless steel
3	Ball	316L Stainless steel
4	Seal	TFM
5	Body seal	PTFE
6	Thrust washer	TFM
7	Stem	316L Stainless steel
8	Gland packing	TFM
9	Earthing ball	316 Stainless steel
10	Gland bush	316L Stainless steel
11	Belleville washer	304 Stainless steel
12*	Stop plate	304 Stainless steel
13	Stop	304 Stainless steel
14	Stem nut	304 Stainless steel
15	Stem washer	304 Stainless steel
16	Handle	304 Stainless steel
17**	Handle sleeve	Vinyl
18	Bolt	304 Stainless steel

\*Applicable to 2-1/2" - 6" sizes  
 \*\*6" handle does not have a cover



Size (ASME BPE)	Dimensions (mm)										Weight (kg)
	ØA	ØB	C	D	E	F	G	H	I	J	
1/2"	25	12.7	71	89	100	30	102	34	19	55	0.6
3/4"	25	19.05	93	102	130	31	114	43	24	65	1.0
1"	50.5	25.4	118	114	165	31	127	56	31	80	2.0
1-1/2"	50.5	38.1	149	140	200	32	152	71	45	100	5.0
2"	64	50.8	168	165	250	34	178	81	54	135	8.5



Size (ASME BPE)	Dimensions (mm)										Weight (kg)
	ØA	ØB	C	D	E	F	G	H	I	J	
2-1/2"	77.5	63.5	239	190	350	33	203	117	72	160	8.5
3"	91	76.2	261	216	350	36	228	127	83	180	16.0
4"	119	101.6	301	254	450	40	267	146	103	220	39.0
6"	167	152.4	409	350	500	50	350	259	150	300	110.0