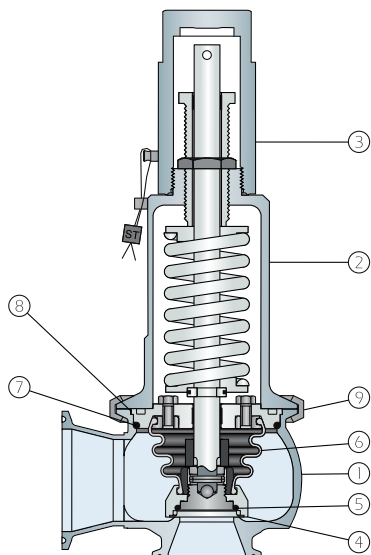




The Type 483 safety relief valve is intended for use in high purity steam, liquid and gas applications. Opening with a gradual action, the maximum capacity of the valve will be achieved when the overpressure reaches 10% of the set pressure. This opening characteristic allows small volumes typically associated with pressure peaks or thermal expansion to be vented. The 483 design utilises an internal bellows to isolate the spring chamber during discharge. Available with two orifice sizes, the Type 483 is both ASME Section VIII Division 1 and CE Category IV approved.



- P Pressure Rating**  
Up to 16 barg
- T Temperature Rating**  
Up to 150°C or 205°C with Kalrez seat seal
- Orifice Diameter**  
13 or 25mm
- Connections**  
To suit ASME BPE clamp fittings:  
With 13mm orifice - 1" inlet x 1-1/2" outlet or  
1-1/2" inlet x 1-1/2" outlet  
With 25mm orifice - 1-1/2" inlet x 2" outlet or  
2" inlet x 2" outlet

- Seal Material**  
Seat seal - EPDM or Kalrez  
Body seal and bellows - EPDM

- Set Pressure Range**  
13mm orifice - 0.3 - 16 barg  
25mm orifice - 0.1 - 16 barg

- Surface Finish**  
Wetted inlet surfaces - 0.5 microns Ra  
Wetted outlet surfaces - 1.5 - 3.2 microns Ra  
External surfaces - satin finish (1.5 microns Ra)

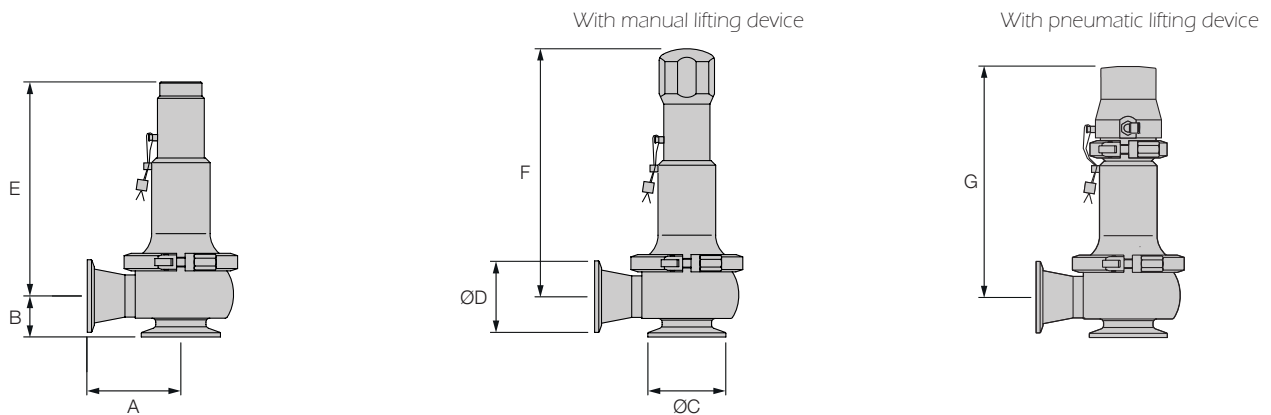
- Options**  
Enhanced surface finishes and electropolishing  
Manual and pneumatic lifting devices  
Alternative connection types

- C Available Certification**
  - CofC** Certificate of Conformity
  - MTR's** Material Certification
  - FDA** FDA Elastomer compliance certificates
  - USP** USP Elastomer compliance certificates\*
  - ADI** Certified 'Animal Derived Ingredient' free

\*Seat seal USP certified. Bellows and body seal FDA compliant only

Part	Description
1	Body 316L stainless steel
2	Spring chamber 316L stainless steel
3	Cap 316L stainless steel
4	Disc assembly 316L stainless steel
5	Seat seal EPDM or Kalrez
6	Bellows EPDM
7	Body seal EPDM
8	Guide plate 316L stainless steel
9	Body clamp 316 stainless steel

### Type 483



	ASME BPE connections			Dimensions (mm)							Weight (kg)
	Inlet	Outlet	Orifice (mm)	A	B	ØC	ØD	E	F	G	
	1"	1-1/2"	13	52	29	50.5	50.5	151	177	158	1.6
	1-1/2"	1-1/2"	13	52	29	50.5	50.5	151	177	158	1.6
	1-1/2"	2"	25	60	44	50.5	64	217	259	228	3.7
	2"	2"	25	60	44	64	64	217	259	228	3.7

### Discharge Capacities

Set pressure (barg)	Saturated steam (Kg/h)		Air@0°C (Nm³/h)		Water@20°C (Kg/h)	
	13mm orifice	25mm orifice	13mm orifice	25mm orifice	13mm orifice	25mm orifice
1.0	84	230	108	295	2830	6808
2.0	135	352	175	458	4005	9628
3.0	182	426	239	558	4905	11792
4.0	227	532	299	700	5664	13616
5.0	272	637	360	842	6333	15223
6.0	317	742	420	985	6937	16676
7.0	362	850	481	1127	7493	18012
8.0	406	951	542	1270	8010	19256
9.0	450	1055	602	1411	8497	20424
10.0	495	1160	663	1553	8956	21529
12.0	583	1366	785	1838	9811	23584
14.0	671	1572	906	2122	10597	25474
16.0	760	1179	1028	2407	11329	27233

Valve capacities with 10% overpressure according to DIN EN ISO 4126  
 Maximum capacity achieved at set pressure +10%. Re-seating pressure achieved at set pressure -10%  
 Discharge capacities according to ASME Section VIII, Division 1 available upon request  
 Coefficients of discharge (Kdr): Steam and gases: 13mm orifice - 0.60, 25mm orifice - 0.38. Liquids: 13mm orifice - 0.40, 25mm orifice - 0.26

**Packaging**  
 Individually capped and bagged

**Service Parts**  
 Seal kit comprising parts 5, 6 and 7