

# Type 665 Pressure Relief Valve

665-TB  
04/04

# Staitech

## Type 665 Pressure Relief Valve

The Type 665 pressure relief valve is manufactured in 316L stainless steel, and is intended for liquid, air and gas service where a hygienic relief valve is required.

Designed to prevent accumulation of fluid in the discharge port, the valve is ideal for protecting liquid distribution systems from over pressure, and for relieving back pressure in pumped lines.

Available in a range of sizes, the pressure relief valve can be supplied with wetted surfaces finished down to 0.4 microns Ra. Valves are supplied with a lifting/lock out lever for manual actuation during CIP and SIP cycles.

The Type 665 valve is classified under the SEP category of the Pressure Equipment Directive.

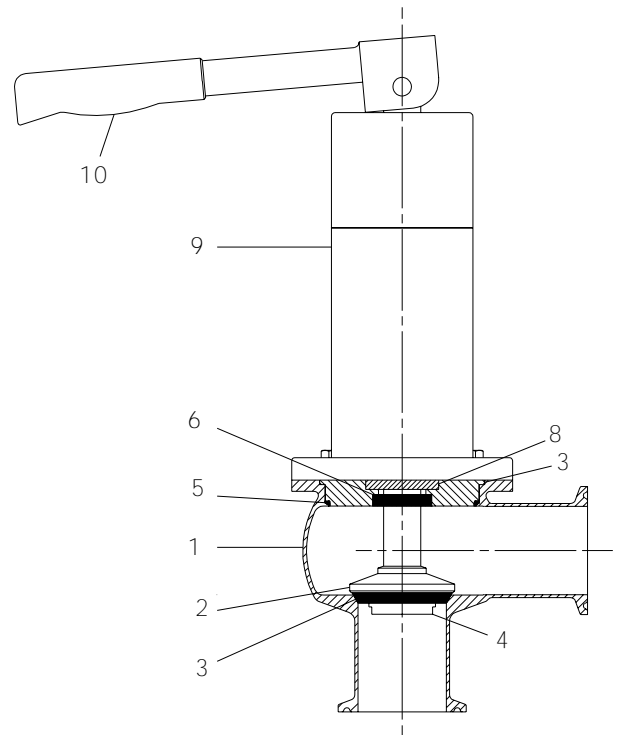
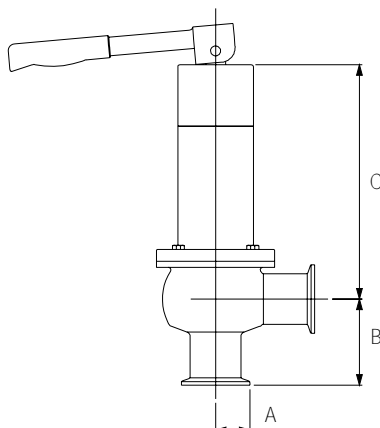
### Features offered by the Type 665 include:

- 316/316L stainless steel construction - provides optimum corrosion resistance.
- Full diameter outlet port - prevents entrapment of discharge medium.
- Wide range of spring and surface finish options - allows valve specification to be matched to system requirements.

### Product specification

Sizes	1", 1-1/2", 2", 2-1/2", 3" & 4"
Connections	Tri-Clamp® compatible
Relieving pressure ranges	1" to 3" 0.5 - 10 barg 4" 0.5 - 5.5 barg
Maximum allowable temperature*	120°C
Surface finish:	
Internal body surfaces	Standard - 0.8 microns Ra Optional - 0.4 microns Ra
External surfaces	Satin polish
Options	Sealed cap, electropolishing

\*The Type 665 valve may be steam sterilised at temperatures up to 150°C for periods up to 1 hour.



### Materials of construction

1.	Lower body and seat	316L Stainless steel
2.	Valve Stem	316L Stainless steel
3.	Stem guide plate	316L Stainless steel
4.	Seat seal retainer	316L Stainless steel
5.	Seat seal	EPDM
6.	Stem seal	EPDM
7.	Stem guide plate seal	EPDM
8.	Stem bush	PTFE
9.	Upper body	316 Stainless steel
10.	Lifting lever	304 Stainless steel

Full parts breakdown available upon request. All elastomers FDA compliant.

### Dimensions(mm)

	A	B	C	Weight(kg)
1"	73	52	185	6.1
1-1/2"	73	63	275	6.1
2"	100	67	280	6.1
2-1/2"	116	76	305	14.0
3"	120	80	310	14.3
4"	148	92	330	-

Specification subject to change without notice