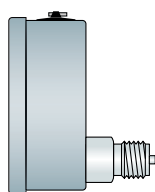
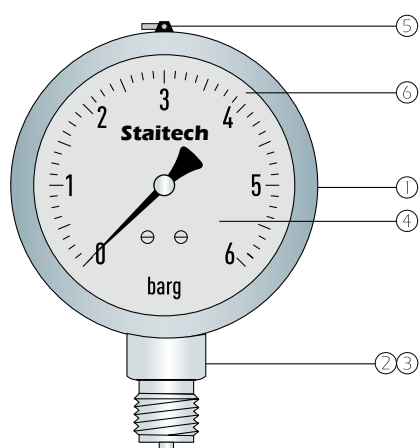
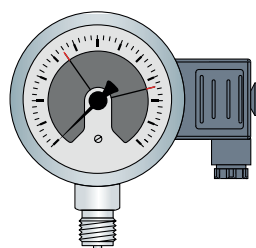




The 232.50 range of pressure gauges are available with 63, 100 & 160mm dials and a range of BSP and NPT male bottom and back entry connections. With all wetted parts and internal workings stainless steel, 232.50 gauges are suitable for use in a wide range of processes and aggressive media applications. Gauges are available with either dry case (232.50) or with Glycerine damping fill (233.50). All gauges are serialised to simplify traceability.



Back entry option



With electrical contacts

P Pressure Rating

DN63

Steady - 75% of indicated pressure range

Fluctuating - 66% of indicated pressure range

Short periods - full indicated pressure range

DN100 and DN160

Steady - 100% of indicated pressure range

Fluctuating - 90% of indicated pressure range

Short periods - 130% of indicated pressure range

T Temperature Rating

Dry case - 200°C

Glycerine filled case - 80°C

I Connections

Bottom, side or back entry

DN63 - 1/4" and 3/8" BSP Parallel

DN100 and DN160 - 3/8" and 1/2" BSP parallel

D Design Parameters

Accuracy class - DN63 - 1.6

DN100 and DN160 - 1.0

Thermal drift from 20°C: +0.4% of the indicated range for every 10°C increase in medium temperature

S Standard Pressure Ranges

-1-0-3, -1-0-5, -1-0-9, 0-1, 0-2.5, 0-4, 0-6, 0-10, 0-16, 0-25

C Options

Alternative pressure ranges

Panel mount and safety pattern cases

Brass and Monel wetted parts

BSP taper and NPT threaded connections

Electrical contact system

ATEX compliant gauges

C Available Certification

CofC Certificate of Conformity

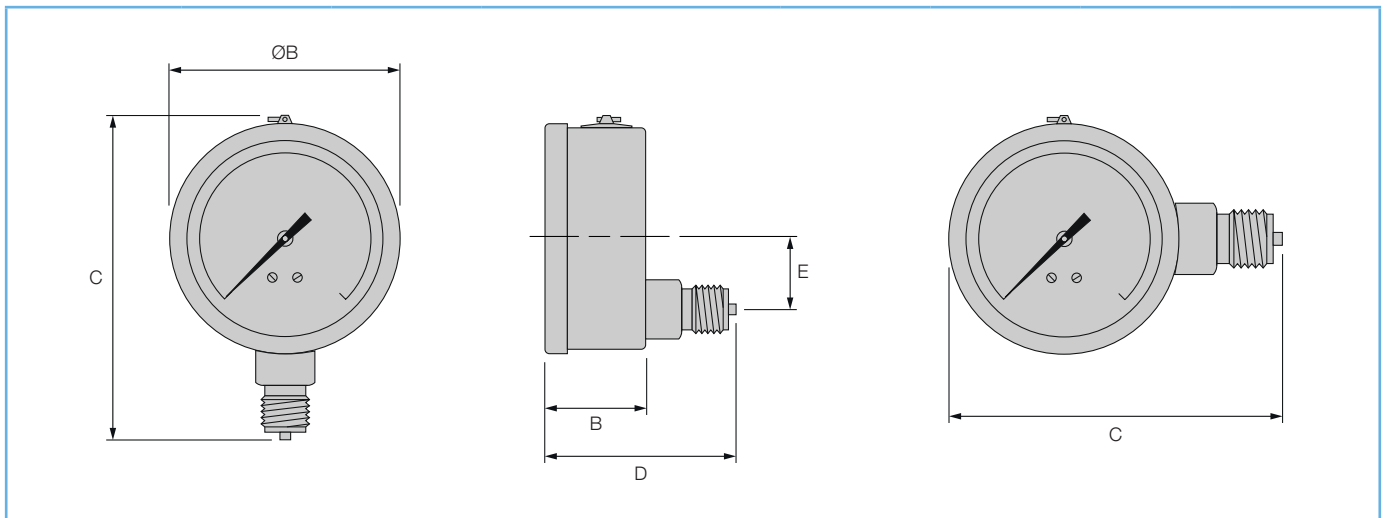
CAL Calibration Certification

EXATEX ATEX zone compliance certification

S Supplier Partner

Staitech are a nominated partner of Wika, stocking and distributing the company's extensive range of mechanical and electronic pressure and temperature monitoring products. For further information on the Wika range visit the Staitech website or www.wika.co.uk

Part	Description
1	Case 304 stainless steel
2	Boss 316L stainless steel
3	Movement Stainless steel
4	Lens Laminated safety glass
5	Vent plug Rubber
6	Case fill Glycerine or dry



	Dial size	Dimensions (mm)					Weight (kg)	
		ØA	ØB	C	D	E	Dry	Filled
	DN63	63	33	84.5	60	*	0.16	0.35
	DN100	101	48	137.5	83	30	0.60	0.85
	DN160	161	49.5	198.5	83	50	1.1	1.4

*Connection is central on DN63 back entry gauges



Packaging

Individually boxed



Service Parts

No service parts are available for this range



Specification

See product selector sheet for specification and ordering detail