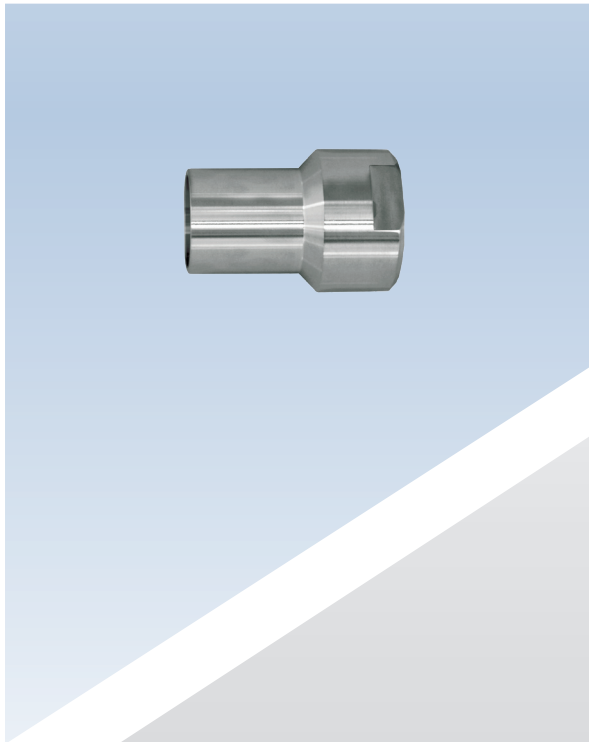


# BSP & NPT THREADED TUBE ADAPTORS



## BSP/NPT TUBE ADAPTORS

Threaded tube adaptors are manufactured from low sulphur grade 316L stainless steel complying with ASME BPE criteria and have a 28mm long weld shoulder to allow orbital welding. Adaptors are available with both BSP and NPT threads. BSP female fittings use a parallel thread with internal Gylon face seal. Male fittings have a tapered thread. All surfaces are finished to 0.8 microns Ra.

<b>I Connections</b>	Weld end to suit 1/2" - 2" ASME BPE tube Male thread 1/8" - 2" BSP taper or NPT Female thread 1/8" - 2" BSP parallel or NPT
<b>M Material</b>	316L stainless steel (ASME BPE compliant)
<b>W Surface Finish</b>	Wetted surfaces - 0.8 microns Ra
<b>✓ Options</b>	Alternative thread vs. tube combinations ISO and DIN tube sizes Low ferrite stainless steel (WN1.4435), C22 and other alloys Electropolished finish
<b>C Certification</b>	Certificate of conformity Material certification FDA material compliance certificate* USP material compliance certificate* Certified 'Animal derived ingredient' free

\*Covering Gylon seal in female BSP adaptors

### Threaded Tube Adaptors

	Thread size (BSP / NPT)	Tube size (ASME BPE)	ØA (mm)
<p>Female thread</p>	1/8"	1/2"	12.7
	1/4"	1/2"	12.7
<p>Male thread</p>	1/4"	3/4"	19.05
	1/2"	1/2"	12.7
	1/2"	3/4"	19.05
	1/2"	1"	25.4
	3/4"	3/4"	19.05
	3/4"	1"	25.4
	1"	1"	25.4
	1-1/2"	1-1/2"	38.1
	2"	2"	50.8

## BSP & NPT THREADED TUBE ADAPTORS

### Threaded Tube Adaptors BSP - ordering code

BSP thread size	Tube size (ASME BPE)	Male thread	Female thread
1/8"	1/2"	ADP-0125GM-050W	ADP-0125GF-050W
1/4"	1/2"	ADP-025GM-050W	ADP-025GF-050W
1/4"	3/4"	ADP-025GM-075W	ADP-025GF-075W
1/2"	1/2"	ADP-050GM-050W	ADP-050GF-050W
1/2"	3/4"	ADP-050GM-075W	ADP-050GF-075W
1/2"	1"	ADP-050GM-100W	ADP-050GF-100W
3/4"	3/4"	ADP-075GM-075W	ADP-075GF-075W
3/4"	1"	ADP-075GM-100W	ADP-075GF-100W
1"	1"	ADP-100GM-100W	ADP-100GF-100W
1-1/2"	1-1/2"	ADP-150GM-150W	ADP-150GF-150W
2"	2"	ADP-200GM-200W	ADP-200GF-200W

#### Specification text

Staitech threaded tube adaptor manufactured from low sulphur grade 316L. 1/4" BSP male thread with 28mm long 1/2" ASME BPE weld connection. All surfaces finished to 0.8 microns Ra. (ADP-025GM-050W). For electropolished finish add suffix '-EP' (ADP-025GM-050W-EP).

### Threaded tube Adaptors NPT - ordering code

NPT thread size	Tube size (ASME BPE)	Male thread	Female thread
1/8"	1/2"	ADP-0125NPTM-050W	ADP-0125NPTF-050W
1/4"	1/2"	ADP-025NPTM-050W	ADP-025NPTF-050W
1/4"	3/4"	ADP-025NPTM-075W	ADP-025NPTF-075W
1/2"	1/2"	ADP-050NPTM-050W	ADP-050NPTF-050W
1/2"	3/4"	ADP-050NPTM-075W	ADP-050NPTF-075W
1/2"	1"	ADP-050NPTM-100W	ADP-050NPTF-100W
3/4"	3/4"	ADP-075NPTM-075W	ADP-075NPTF-075W
3/4"	1"	ADP-075NPTM-100W	ADP-075NPTF-100W
1"	1"	ADP-100NPTM-100W	ADP-100NPTF-100W
1-1/2"	1-1/2"	ADP-150NPTM-150W	ADP-150NPTF-150W
2"	2"	ADP-200NPTM-200W	ADP-200NPTF-200W

#### Specification text

Staitech threaded tube adaptor manufactured from low sulphur grade 316L. 1/4" NPT male thread with 28mm long 1/2" ASME BPE weld connection. All surfaces finished to 0.8 microns Ra. (ADP-025NPTM-050W). For electropolished finish add suffix '-EP' (ADP-025NPTM-050W-EP).