

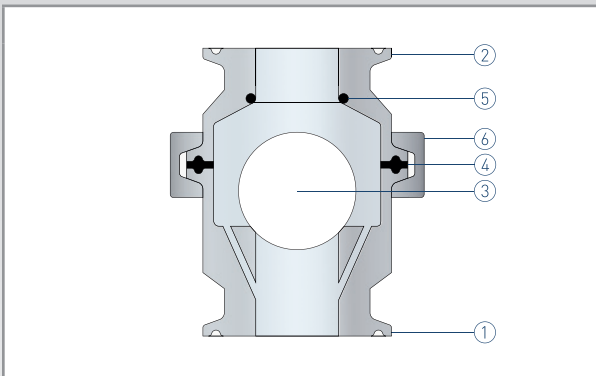
VENT CHECK VALVE



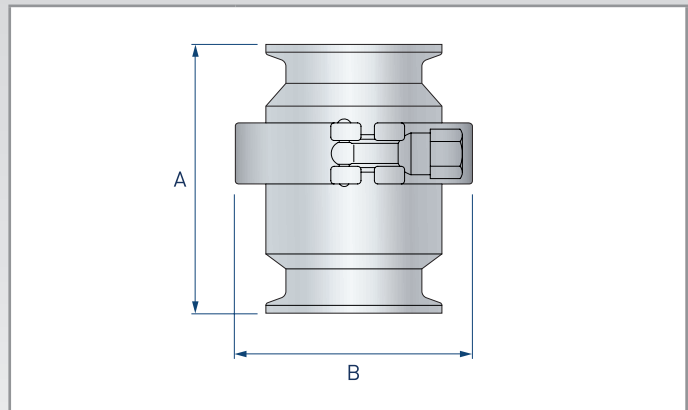
VENT CHECK

The vent check valve is designed to allow air to freely flow in and out of a system but stops any liquid escaping. An internal Polypropylene ball sits in the valve chamber, when process fluid enters the valve, the ball is forced up against the outlet O-ring creating a bubble tight seal.

P Pressure Rating	Maximum operating pressure (PMO) - 10 barg
T Temperature Rating	Maximum allowable temperature (TMA) - 90°C
Connections	1" - 1-1/2" ASME BPE clamp
Wetted Parts	316L stainless steel
Seal Material	EPDM or Viton
Surface Finish	Wetted surfaces - 0.8 microns Ra External surfaces - 0.8 microns Ra
Options	Goose neck outlet Electropolished finish (SF4)
Certification	Certificate of conformity FDA Elastomer compliance certificates
Features	<ul style="list-style-type: none"> Clamped body - allows easy disassembly for cleaning and servicing



Part	Description	
1	Inlet connection	316L stainless steel
2	Outlet connection	316L stainless steel
3	Ball	Polypropylene
4	Body seal	EPDM or Viton
5	O-ring	EPDM or Viton
6	Body clamp	Stainless steel



Dimensions (mm)		Weight (kg)
A	B	
77	60	0.5