



The XP range of cast valves meet all current ASME BPE requirements for material composition and surface finish. The XP range have an ISO compliant mounting feature to allow the simple addition of an actuator. Valves are also ATEX compliant as standard. Wetted surfaces for all valves are 0.5 microns Ra.

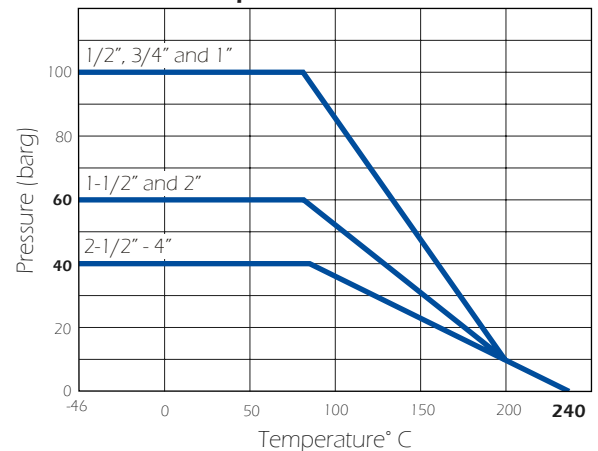


Tank Bottom valves

The XP range can be supplied with a tank outlet pad on one side for direct welding in to a process vessel or storage tank. The pad thickness and profile can be tailored to match individual vessel or tank designs. Further information covering the XP range of tank outlet pads is available upon request.



Pressure and Temperature



Connections

1/2" - 4" ASME BPE clamp
1/2" - 4" ASME BPE weld ends



Seat and Seal Materials

Seats - TFM
Body seals - PTFE
Stem seals - PTFE and PEEK



Surface Finish

Wetted inlet surfaces - 0.5 microns Ra
External surfaces - as cast
(where external polish is required see RP series)



ATEX

Rated to **CE** **Ex** II 2 GD c



Options

Alternative seat materials - PTFE and PEEK
Cavity filled seats - TFM, PTFE and PEEK
V-port ball
Enhanced surface finishes and electropolishing
Special cleaning for O₂ service
Locking devices and Stem extensions
DIN, ISO and SMS sizes
Low ferrite stainless steel, C22 and other alloys
3 and 4 way valves - MP Series



Available Certification

- CofC** Certificate of Conformity

- MTR's** Material Certification

- FDA** FDA Elastomer compliance certificates

- USP** USP Elastomer compliance certificates

- ADI** Certified 'Animal Derived Ingredient' free

- EXATEX** ATEX zone compliance certification

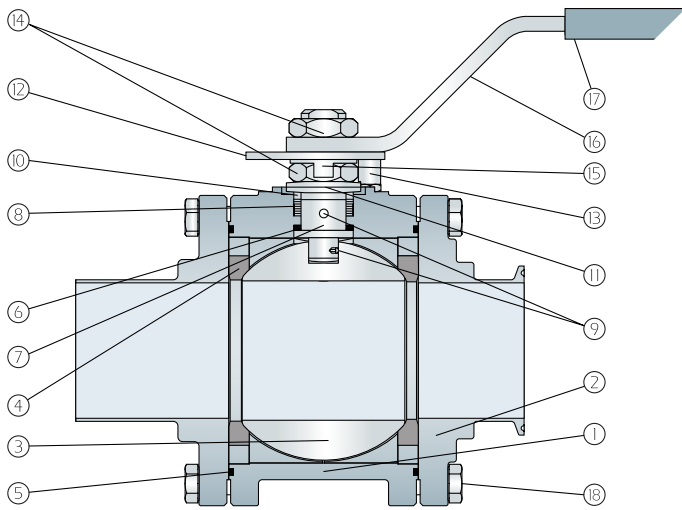


Supplier Partner

Staitech are a nominated partner of Vinco valve of Portugal, stocking and distributing the company's extensive range of high purity ball valves. For further information on the Vinco range visit the Staitech website or www.vincovalves.com

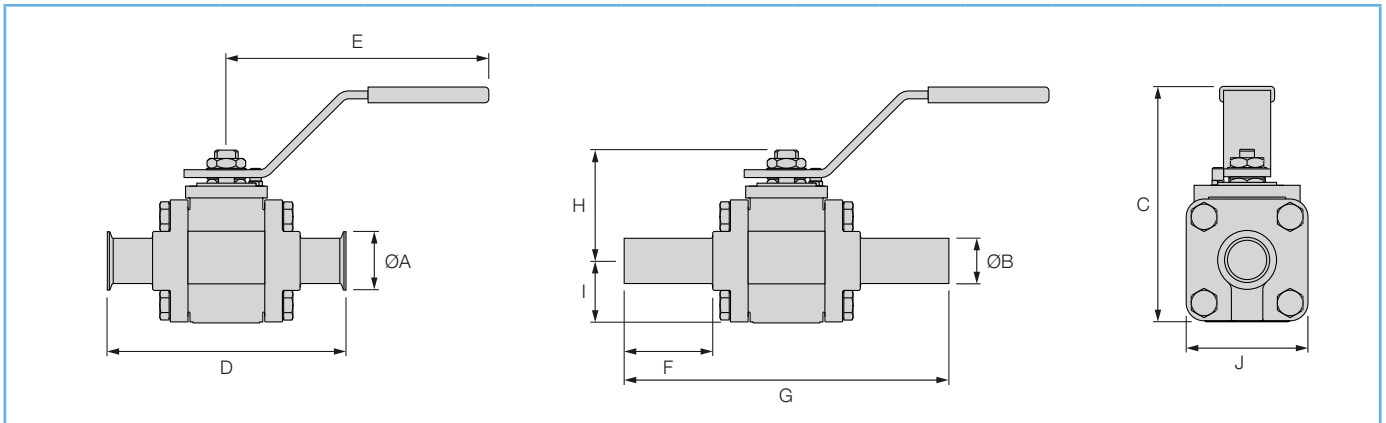
XP SERIES

Ball valve

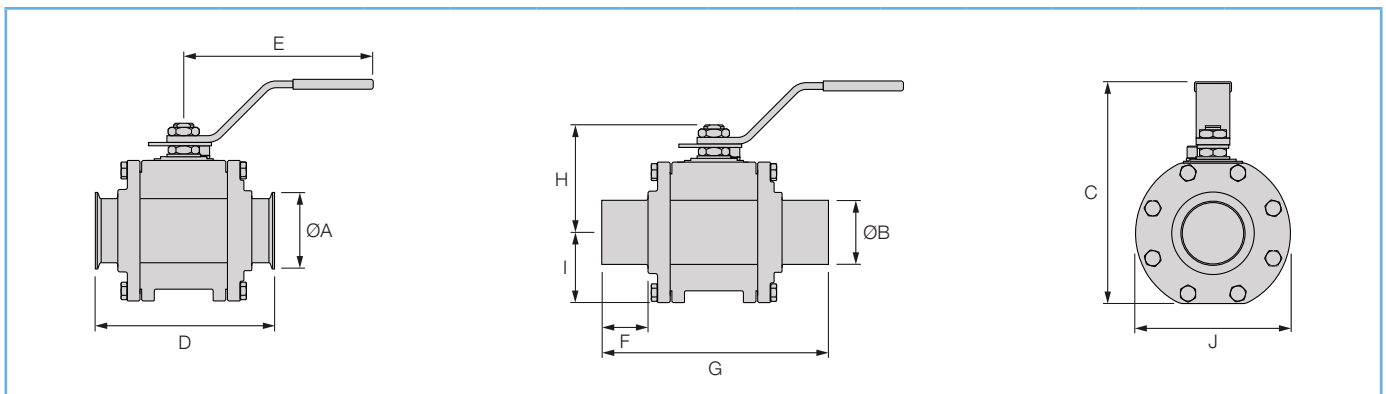


Part	Description	
1	Body	316L Stainless steel (CF3M/BPE)
2	End cap	316L Stainless steel (CF3M/BPE)
3	Ball	316L Stainless steel
4	Seal	TFM
5	Body seal	PTFE
6	Thrust washer	TFM
7	Stem	316L Stainless steel
8	Gland packing	PTFE and PEEK
9	Earthing ball	316 Stainless steel
10	Gland bush	316L Stainless steel
11	Belleville washer	304 Stainless steel
12*	Stop plate	304 Stainless steel
13	Stop	304 Stainless steel
14	Stem nut	304 Stainless steel
15	Stem washer	304 Stainless steel
16	Handle	304 Stainless steel
17	Handle sleeve	Vinyl
18	Bolt	304 Stainless steel

*Applicable to 2-1/2", 3" and 4" sizes



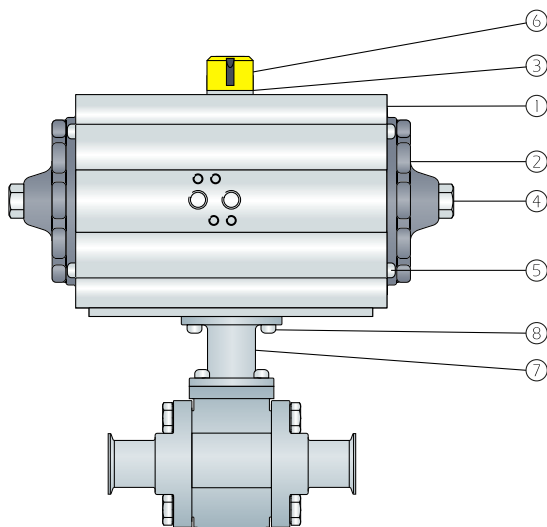
Size (ASME BPE)	Dimensions (mm)										Weight (kg)
	ØA	ØB	C	D	E	F	G	H	I	J	
1/2"	25	12.7	72	89	100	45	140	34	20	40	0.5
3/4"	25	19.05	94	102	130	45	152	43	25	50	1
1"	50.5	25.4	118	114	165	45	165	56	31	62	1.8
1-1/2"	50.5	38.1	148	140	200	45	191	71	42	84	4
2"	64	50.8	167	165	250	48	216	81	53	106	6.8



Size (ASME BPE)	Dimensions (mm)										Weight (kg)
	ØA	ØB	C	D	E	F	G	H	I	J	
2-1/2"	77.5	63.5	250	191	370	53	241	117	82	164	14.5
3"	91	76.2	272	216	370	56	267	127	92	184	17.8
4"	119	119	310	254	450	60	305	146	112	224	31



All sizes of XP have an ISO top-works which allows mounting of either pneumatic or electric actuators. This data sheet covers a standard range of ATEX rated Quifer pneumatic actuators. Alternative actuator packages are available upon request.



Pressure Rating

Up to 8 barg supply air pressure



Temperature Rating

20°C - 80°C

For steam or other high temperature applications the extended mounting bracket option should be selected



Operation

Spring return or double acting

For spring return actuators, loss of air resting position can be configured to be open or closed



Options

Direct mount solenoid

Switch boxes and proximity sensors

High visibility position beacons

Electric actuation packages

Stainless steel enclosed actuators



ATEX

Rated to **CE** II 2 GD c



Supplier partner

Staitech are a stockist and distributor of Quifer Actuators of Spain, offering the company's range of aluminium pneumatic actuators. For further information on the Quifer range visit the Staitech website or visit www.quiferactuators.com

Part	Description	
1	Body	Hard anodised aluminium
2	End cap	Epoxy anodised aluminium
3	Drive shaft	Nickel plated steel
4	Travel stop	Coated steel
5	End cap screw	Nickel plated steel
6	Position indicator	Polypropylene
7	Mounting bracket	316L Stainless steel
8	Mounting screw	Stainless steel

Part	Suggested safety factor	
Oils and lubricants	1.0	
Clean partial free liquid	1.0	
Saturated steam and wet gasses	1.0	
Dry gasses	1.4	
Contaminated gasses	1.6	
Contaminated liquids	1.8	

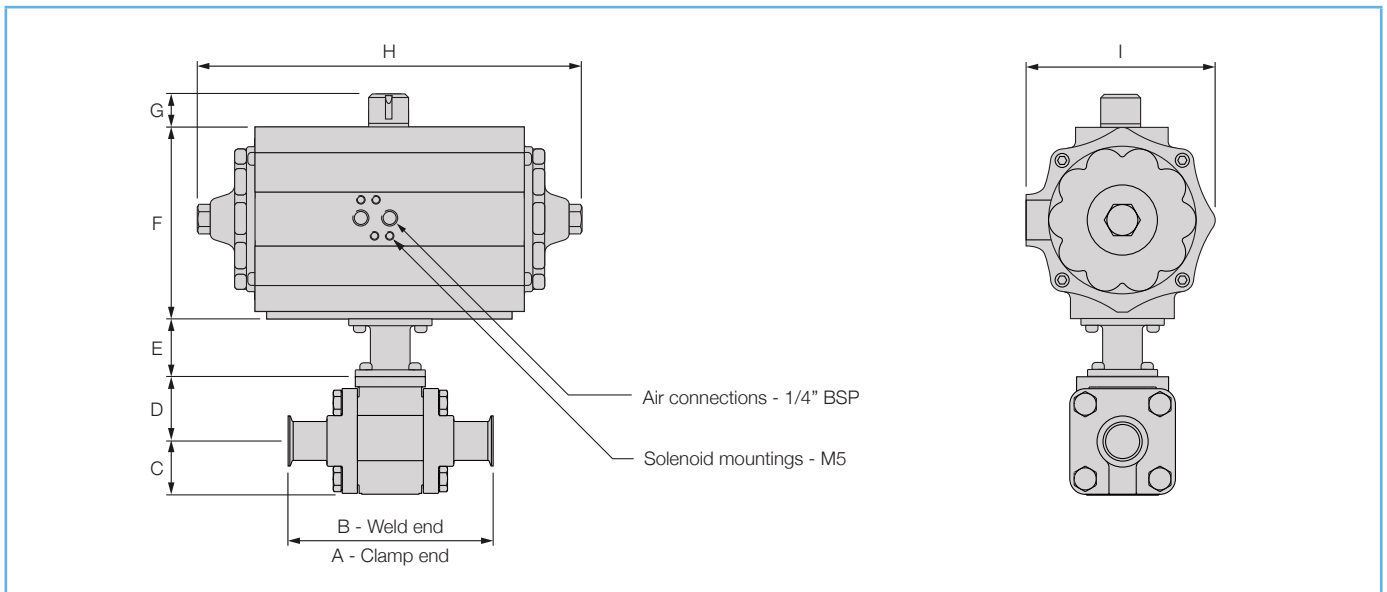
Size	Valve torque (Nm)*	Valve mount	Safety factor/Spring return actuator selection				
			1.0	1.2	1.4	1.6	1.8
1/2"	3.5	F03	KPM3	KPM3	KPM3	KPM5	KPM5
3/4"	6	F03	KPM5	KPM8	KPM5	KPM8	KPM8
1"	13	F04	KPM8	KPM12	KPM8	KPM8	KPM8
1-1/2"	26	F05	KPM12	KPM20	KPM20	KPM20	KPM20
2"	44	F05	KPM20	KPM30	KPM30	KPM30	KPM30
2-1/2"	62	F07	KPM30	KPM40	KPM40	KPM40	KPM60
3"	76	F07	KPM40	KPM60	KPM60	KPM60	KPM60
4"	95	F10	KPM60	KPM60	KPM60	KPM60	KPM60

*Valve torque and actuator selection suitable for open or cavity filled seats

Note - actuator selection based on supply air pressure of 5.5 barg. Consult Staitech for actuator selections at lower air pressures or where a double acting actuator is required

XP SERIES

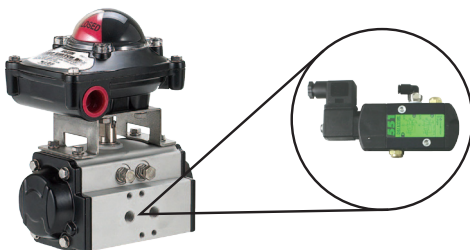
Actuator packages



Note - actuator can be positioned at 90° to valve if required. Two heights of mounting bracket (E) are available

	Dimensions (mm)	Valve size (ASME BPE)							
		1/2"	3/4"	1"	1-1/2"	2"	2-1/2"	3"	4"
	A	89	102	114	140	165	191	216	254
	B	140	152	165	191	216	241	267	305
	C	20	25	31	42	43	82	92	112
	D	26	32	38	46	55	75	86	116
	E - standard	40	40	40	45	45	60	60	70
	E - extended	60	60	60	60	60	-	-	-
	Valve weight (kg)	0.5	1	1.8	4	6.8	14.5	17.8	31
		Actuator model							
		KPM3	KPM5	KPM8	KPM12	KPM20	KPM30	KPM40	KPM60
	F	91	111	131	131	169	169	200	216
	G	20	20	20	20	20	30	30	30
	H	180	214	239	285	227	340	374	425
	I	89	112	133	133	169	169	195	210
	Actuator weight (Kg)	1.8	3	4.3	5.5	8	10.6	15	21

Note - further technical information covering actuators available upon request



Actuator Options

- Direct mount solenoid
- Switch boxes and proximity sensors
- High visibility position beacons

For more information contact Staitech



Packaging

Valves are capped and assemblies individually bagged



Service Parts

Valve service kit comprising of parts 4, 5, 6, 8 and 9
Available spares for KPM series actuators comprise piston seals and drive shaft seals

Staitech

Staitech Ltd · PO Box 152 · Stroud
Glos · GL6 8YT · UK

Tel: +44 (0) 1543 882736 · Fax: +44 (0) 1543 882744
E-mail: sales@staitech.com · Web: www.staitech.com
Specifications subject to change without notice. XP-TB - 05/15