

HCV01 check valve - cartridge type

The cartridge check valve is suitable for use in steam, liquid and gas applications. For liquid and gas applications, a valve with soft seat insert may be used. The HCV01 valve can be fitted between Tri-Clamp compatible fittings in accordance with ISO tubing dimensions. The body O-rings form the seal, replacing the standard clamp gasket. EPDM seals are fitted as standard.

Design conditions

Maximum operating range: up to 50 barg

Maximum operating temperature: 150°C

(may be higher if alternative seal material used)

Installation

Installation will be made easier if the body O-rings are lubricated with grease compatible with the process medium.

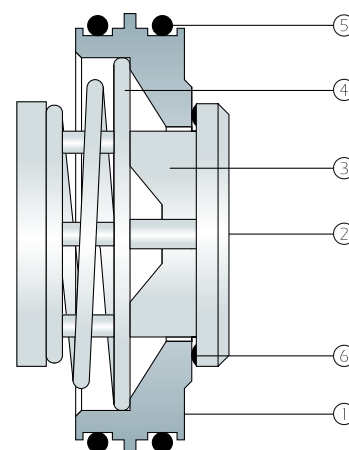
1. Gently push the valve into one of the fittings, ensuring that the flow direction is as required.
2. Slide the mating fitting over the exposed valve end.
3. Fit clamp and tighten.

Maintenance

The HCV01 has no maintainable components with the exception of the body seals. The soft seat seal insert is captive, and cannot be replaced. Before removing a valve, firstly ensure that the system is drained, and vented of residual pressure.

1. Remove the valve from the pipeline. Remove the seals with a small screwdriver or similar tool. Fit replacement seals.

2. Re-install valve as described above.



Part	Material
1 Body	316L stainless steel
2 Valve head	316L stainless steel
3 Piston	316 stainless steel
4 Spring	316 stainless steel
5 Body seals	EPDM
6 Optional seat seal	EPDM

Available spares

Body seals (4)