

HCV02 hygienic check valve

The HCV02 hygienic check valve is suitable for use in liquid and gas systems operating up to 10 barg. Valves fitted with EPDM seals are suitable for use in systems operating up to 135°C, and for FEP-Silicone, Viton and Silicone seals, 200°C.

Identification

Each valve is marked with a unique serial number, against which the seal material and spring range are recorded by Staitech. This number should be quoted when ordering spares.

Installation

Hygienic check valves can be installed in any orientation. A direction of flow arrow is marked on the body. Valves with eccentric connections are available for use in horizontal applications. Eccentric valves should be installed with the offset connection at the lowest point. This will ensure that the valve will 'free drain'.

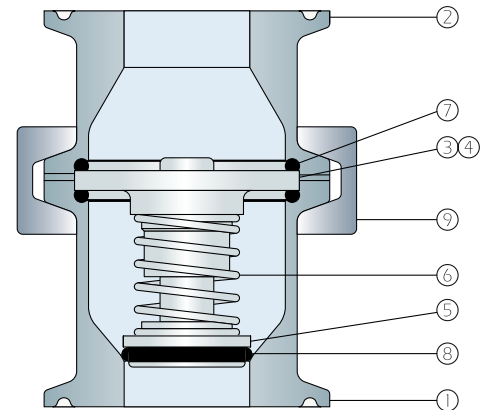
Maintenance

Valves can be easily disassembled for cleaning or maintenance. Replacement body and seat seals are available, as is a guide plate assembly.

Disassembly/assembly instructions are as follows:

1. Firstly ensure that any residual pressure has been relieved from the system, and in the case of a liquid system, that the system has been drained.
2. For valves with clamp fittings, firstly remove the valve from the system. Loosen and remove body clamp.
3. Remove all internal components, checking for signs of wear or damage.
4. Fit new body and seat seals (7 and 8) if required.
5. Place the spring over the guide plate shoulder. Slide the stem into the guide plate bush.
6. Fit the assembled guide plate in the inlet body.
7. Bring the two body halves together and fit body clamp. Orientate the body clamp so that the seal weep hole is visible. For hinged clamps, tighten nut to 4-5 Nm, and for two-piece bolted clamps tighten nuts to 27 Nm.

Caution: When welding valves in-line Staitech recommend that all internal parts, including body seals, are removed prior to welding.



Part	Material
1 Inlet body	316L stainless steel
2 Outlet body	316L stainless steel
3 Guide plate	316 stainless steel
4 Stem guide	TFM PTFE
5 Stem	316L stainless steel
6 Spring	316 stainless steel
7 Body seals	EPDM, Viton, Silicone or FEP-Silicone
8 Seat seal	EPDM, Viton, Silicone or FEP-Silicone
9 Clamp	304 stainless steel

Available spares

Guide plate assembly (3 and 4) and body seals (7)