

#### HSV20 Sample Valve

The HSV20 is designed for sampling water and process fluids. The maximum operating pressure for the HSV20 is 10 barg and a maximum permissible temperature of 135°C when fitted with EPDM stem seal and 200°C when fitted with Viton stem seal. Care should be taken when operating at elevated temperatures.

#### Installation

The valve may be installed in any orientation. However, in order to aid draining the valve should be installed in a vertical position with the sample outlet facing downward. Where a valve with an insertion tube is installed the angled face of the insertion tube should be orientated to face the direction of flow.

#### Operation

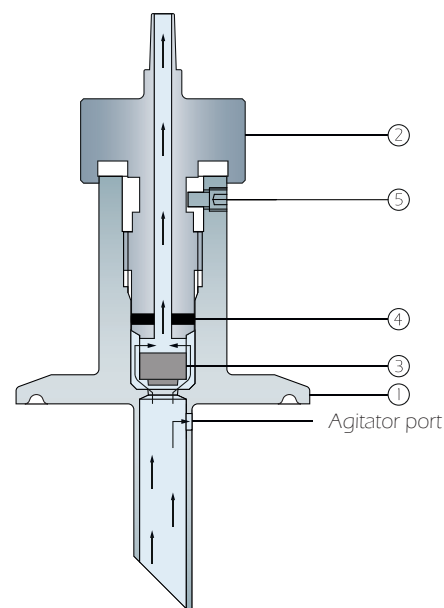
1. The valve is closed with a clockwise rotation of the valve handle.
2. The valve is opened by rotating the handle counter-clockwise. Flow is regulated by adjusting the degree of valve opening. The valve is fully open after two-and-one-half complete turns.

#### Maintenance

The valve seat and stem seal may be replaced by following the procedure outlined below:

1. Remove the valve from the system, firstly ensuring that the system is drained.
2. Unscrew the valve stem (2) counter-clockwise one turn to expose the head of the travel stop.
3. Remove the travel stop (5) using a 2mm allen key.
4. Remove the stem (2) by continuing to unscrew anticlockwise.
5. Remove stem seal (4) and seat seal (3).
6. Clean all parts thoroughly.
7. Fit new stem seal (4) and seat seal (3).
8. Apply a small amount of approved grease to the stem thread.
9. Insert stem in to body and screw clockwise until the valve is fully closed.
10. Unscrew one complete turn and replace travel stop.
11. Cycle valve to ensure smooth operation.
12. Refit valve to system and test.

Further information on all products is available at [www.staitech.com](http://www.staitech.com)



Part		Material
1	Body	316L stainless steel
2	Valve stem	316L stainless steel
3	Seat seal	TFM-PTFE or PEEK
4	Stem seal	EPDM, Viton or Silicone
5	Travel stop	Stainless steel
-	Dust cap	Silicone

Note: standard seal combination is a TFM seat seal and EPDM stem seal

#### Available spares

Seat seal (3) and stem seal (4)