

HSV30 sample valve

The HSV30 is designed for sampling water and process fluids. The maximum operating pressure for the HSV30 is 10 barg and the maximum permissible temperature 150°C.

Installation

The valve may be installed in any orientation. However, in order for the valve to fully drain it should be installed in a horizontal position with the sample outlet facing downward.

Operation

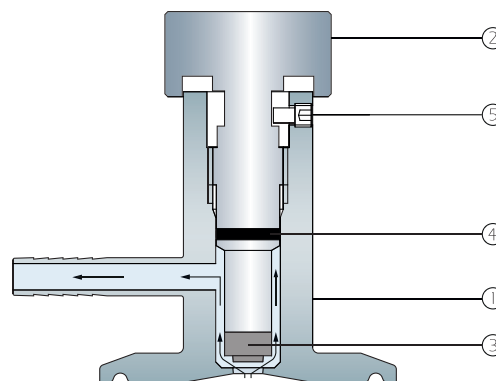
1. The valve is closed with a clockwise rotation of the valve handle.
2. The valve is opened by rotating the handle counter-clockwise. Flow is regulated by adjusting the degree of valve opening. The valve is fully open after two-and-one-half complete turns.

Maintenance

The valve seat and stem seal may be replaced by following the procedure outlined below:

1. Remove the valve from the system, firstly ensuring that the system is drained.
2. Unscrew the valve stem (2) counter-clockwise one turn to expose the head of the travel stop.
3. Remove the travel stop (5) using a 2mm allen key.
4. Remove the stem (2) by continuing to unscrew anticlockwise.
5. Remove stem seal (4) and seat seal (3).
6. Clean all parts thoroughly.
7. Fit new stem seal (4) and seat seal (3).
8. Apply a small amount of approved grease to the stem thread.
9. Insert stem in to body and screw clockwise until the valve is fully closed.
10. Unscrew one complete turn and replace travel stop.
11. Cycle valve to ensure smooth operation.
12. Refit valve to system and test.

Further information on all products is available at www.staitech.com



Part		Material
1	Body	316L stainless steel
2	Valve stem	316L stainless steel
3	Seat seal	TFM-PTFE or PEEK
4	Stem seal	EPDM, Viton or Silicone
5	Travel stop	Stainless steel
-	Dust cap	Silicone

Available spares

Seat seal (3) and stem seal (4)