

HSV60 steam sampling valve

The HSV60 is designed for use in clean steam systems. The maximum temperature/pressure rating for the HSV60 is 175°C @ 8.0 bar.

Installation

The valve may be installed in any orientated. In order for the valve to fully drain it should be installed in the horizontal with the sample outlet facing downward. When used with the HSC30 or HSC60 sample coolers the installation and maintenance Instruction for each product should be referred to for relevant valve orientation.

Operation

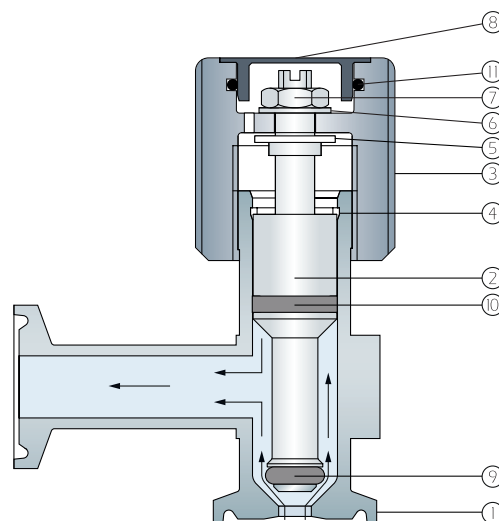
1. The valve is closed with clockwise rotation of the valve handle.
2. The valve is opened by rotating the handle counter-clockwise. Flow is regulated by adjusting the degree of valve opening. The valve is fully open after two complete turns.

Maintenance

The valve seat and stem seal may be replaced by following the procedure outlined below:

1. Remove handle insert (8) and unscrew stem retaining nut (7) clockwise. Remove nut and handle insert seal (11).
2. Unscrew handle (3) counter-clockwise. Remove handle together with stem washer (5).
3. Remove circlip (4), and withdraw valve stem (2).
4. Remove stem O-ring (10) and, if required, the seat O-ring (9). Always fit a new stem O-ring when dismantling a valve.
5. Fit new stem O-Ring (10) and or seat seal O-ring (9) and slide stem into valve body - wetting the stem O-ring will aid in assembly.
6. Refit circlip (4).
7. Place stem washer (5) over valve stem (2) and screw handle (3) clockwise until the valve is fully closed.
8. Replace handle washer (11) and retaining nut (7), screwing nut counter-clockwise until snug. Refit handle insert seal (8).
9. After re-assembly, open the valve fully. Apply a small additional opening force to ensure that the valve stem circlip is fully seated.

Caution: Ensure that the valve is cool and has been relieved of pressure prior to removal or inspection. Further information on all products is available at www.staitech.com



Part	Material
1 Body	316L stainless steel
2 Stem	316L stainless steel
3 Handle	Polyetherimide
4 Circlip	Stainless steel
5 Shim washer	Stainless steel
6 Washer	Stainless steel
7 Nut	Stainless steel
8 Handle insert	Stainless steel
9 Seat seal	Perlast
10 Stem seal	Perlast
11 Handle insert seal	EPDM

Available spares

Seat seal (9) and stem seal (10)