

HSV90 sample valve

The HSV90 is designed for use in water and process fluid systems. The maximum operating pressure for the HSV90 is 10 barg. With EPDM seals the maximum operating temperature is 135°C and 200°C with Viton seals.

Installation

The valve may be installed in any orientation. In order for the valve to fully drain it should be installed in the horizontal position with the sample outlet facing downward.

Operation

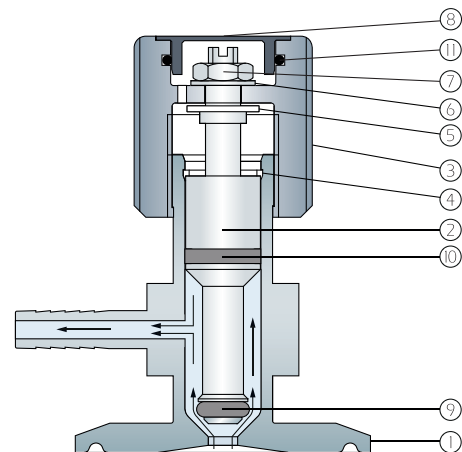
1. The valve is closed with clockwise rotation of the valve handle.
2. The valve is opened by rotating the handle counter-clockwise. Flow is regulated by adjusting the degree of valve opening. The valve is fully open after two complete turns.

Maintenance

The valve seat and stem seal may be replaced by following the procedure outlined below:

1. Remove handle insert (8) and unscrew stem retaining nut (7) clockwise. Remove nut and handle washer (6).
2. Unscrew handle (3) counter-clockwise. Remove handle together with shim washer (5).
3. Remove circlip (4), and withdraw valve stem (2).
4. Remove stem seal (10) and, if required, the seat seal (9). Always fit a new stem seal when dismantling a valve.
5. Fit new stem seal (10) and or seat seal (9) and slide stem into valve body - wetting the stem O-ring will aid in assembly.
6. Refit circlip (4).
7. Place shim washer (5) over valve stem (2) and screw handle (3) clockwise until the valve is fully closed.
8. Replace handle washer (11) and retaining nut (7), screwing nut counter-clockwise until snug. Refit handle closure cap (8).
9. After re-assembly, open the valve fully. Apply a small additional opening force to ensure that the valve stem circlip is fully seated.

Caution: Ensure that the valve is cool and has been relieved of pressure prior to removal or inspection. Further information on all products is available at www.staitech.com



Part	Material
1 Body	316L stainless steel
2 Stem	316L stainless steel
3 Handle	Polyetherimide
4 Circlip	Stainless steel
5 Shim washer	Stainless steel
6 Washer	Stainless steel
7 Nut	Stainless steel
8 Handle insert	316L stainless steel
9 Seat seal	EPDM, Viton, Silicone or Perlast
10 Stem seal	EPDM, Viton, Silicone or Perlast
11 Handle inset seal	EPDM

Available spares

Seat seal (9) and stem seal (10)