



3170 Wasson Road • Cincinnati, OH 45209 USA  
Phone 513-533-5600 • Fax 513-871-0105  
steriflow@richardsind.com • www.steriflowvalve.com

## I & M Mark 978 Repair Kit (Sup)

### Supplemental I & M Instructions for Mark 978 Sanitary Control Valve Repair Kit Installation

#### Please read these instructions carefully!

Your Steriflow product will provide you with long, trouble free service if it is correctly installed and maintained. Spending a few minutes now reading these instructions can save hours of trouble and downtime later. When making repairs, use only genuine Steriflow Valve parts, available for immediate shipment from the factory.

#### Preparing for Maintenance

Warning: be sure that there is not pressure in the valve before loosening any fitting or joint.

1. Close inlet shutoff valve and bypass valve.
2. Open the MK978-JD.
3. Allow pressure to bleed off downstream.
4. When pressure gauge shows there is no pressure in the valve, close outlet shutoff valve.
5. When lubricant is needed, use one that is compatible with both your process and the valve's seal (see nameplate). Consult the factory if unsure what lubricant to use.

#### Repair Kit Installation

Installation of the repair kit is possible without removing the body of the valve from the line. See Illustration and Parts List for part numbers and see Figure 1 for a detailed view of the stem assembly.

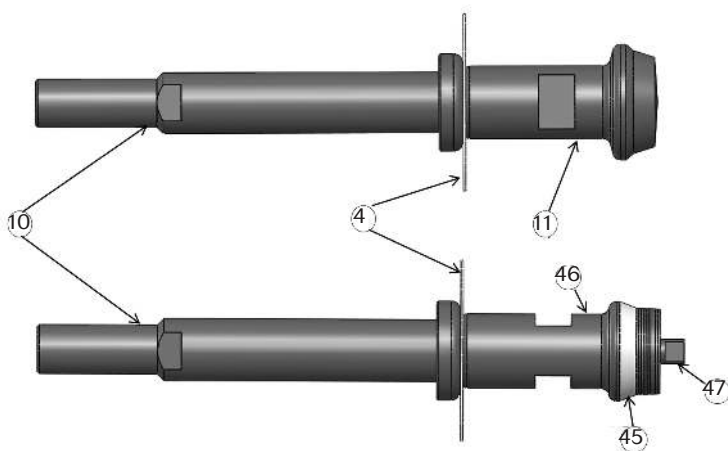


Figure 1: Examples of Hard and Soft Seat Plug/Stem Assemblies

1. Mark 978-JD must be in open position, plug (11) off the seat. Reverse acting valves need pressure applied to actuator to lift plug off seat.
2. Remove bonnet bolts (22) and separate body (1) from bonnet (3).
3. Remove air pressure from actuator, if applied.
4. Remove the bonnet and place the upper portion of the valve on a suitable work surface.
5. Loosen the jam nut\* (21) on the upper stem (10).

\*Left handed thread

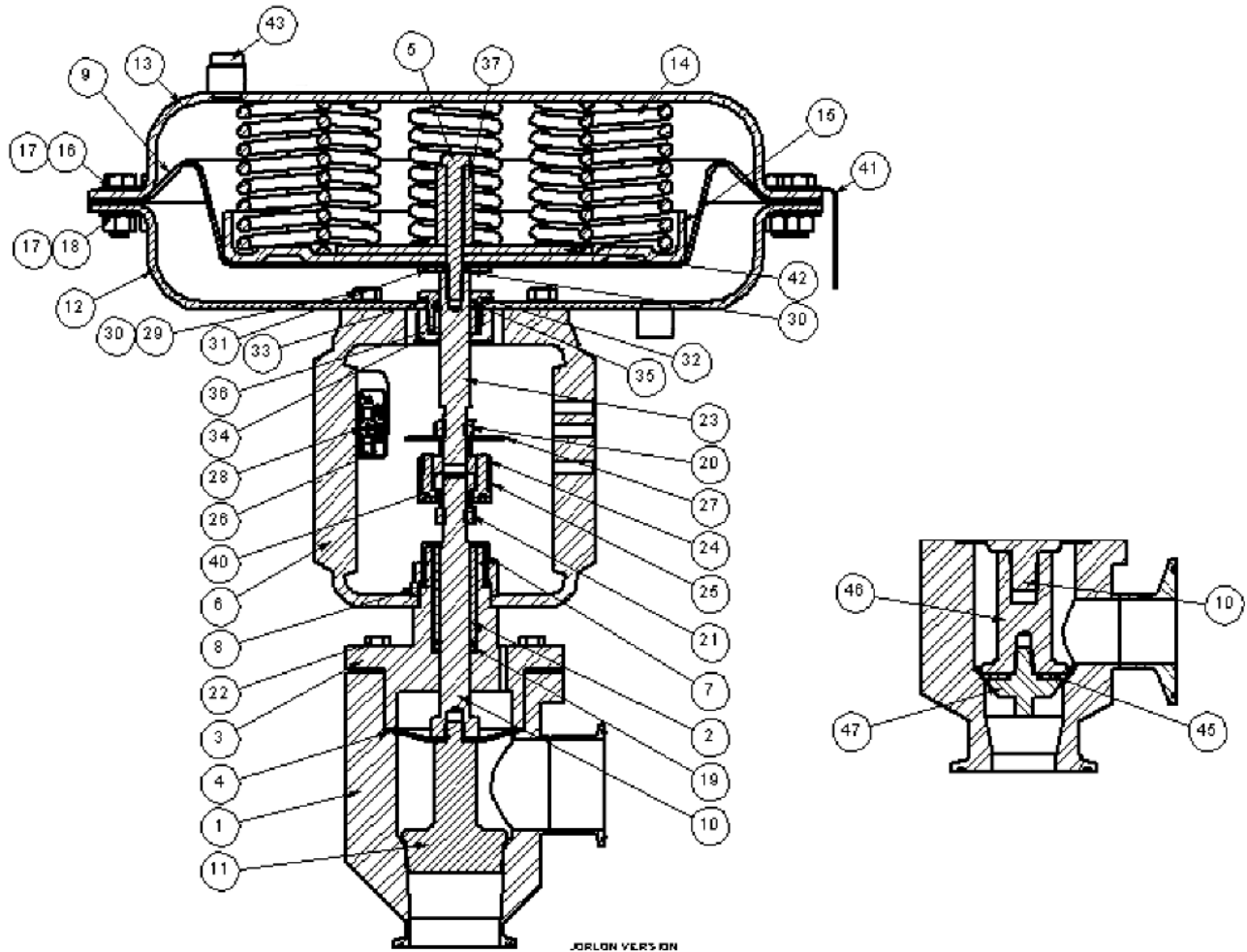
6. Using a black Sharpie marker, mark the threads of the upper stem (10) at the point at which it starts to enter the lower stem connector (25).
7. Using a box wrench on the lower stem connector (25) and soft jaw pliers or a strap wrench on the upper stem (10), break the threaded connection\* and remove the old stem and diaphragm assembly from the upper portion of the valve.
  - 7a. After removing the upper stem, remove and inspect the stem bushing (2), and the stem o-ring (19) underneath it. If either show signs of wear, you may want to consider replacing them as well.
8. Disconnect the upper stem connector (24) from the lower stem connector (25).
9. Transfer the black mark from the threads of the upper stem (10) of the plug/stem assembly that was removed from the valve onto the threads of the new upper stem (10) of the plug/stem assembly included with the repair kit.
10. Place plug/stem assembly (4/10/11) into the bonnet (3).
11. Install jam nut\* (21) and lower stem connector (25) on to valve stem (10).
12. Mate the upper and lower stem connectors (24 & 25) by sliding the stem as appropriate. Secure the upper and lower stem connectors (24 & 25) with SHCS (42).
13. Place bonnet (3) and plug/stem into body (1).
14. Use the HHCS (22) lubricating them with White Knight Food Grade Anti-Seize or comparable lubricant and thread into body hand tight plus a ½ turn more to partially secure bonnet. Final torque will come later after the actuator is aligned.
15. Adjust actuator pressure appropriately so the plug is just touching the seat. Secure bonnet to body with HHCS (22), by cross-tightening bolts to 150 in-lbs.
16. If the valve is equipped with a positioner, follow the procedure to re-initialize the position with the new plug/stem assembly installed.

Distributed in the UK by:

Staitech Ltd • Unit 6 • Hope Mill Lane • Stroud • GL5 2SH • UK  
+44 (0) 1453 882736 • sales@staitech.com • www.staitech.com

**Staitech**  
HIGH PURITY SYSTEM COMPONENTS

## Illustration and Parts List



Item	Description	Item	Description	Item	Description
1	Body	16	HHCS	33	Gland Gasket
2*	Stem Bushing	17	Washer	34	Gland Nut
3	Bonnet	18	Nut	35	Gland O-Ring
4*	Diaphragm, Body	19*	Stem O-Ring	36	Gland Bushing
5	HHCS	20	Jam Nut	37	Spacer (55M/85M)
6	Yoke	21	Jam Nut Left Hand	40	SHCS
7	Lock Ring, Bushing	22	HHCS	41	Steriflow Name Plate
8	Lock Ring, Yoke	23	Actuator Stem	42	Backing Plate (85M)
9	Diaphragm, Actuator	24	Stem Connector, Upper	43	Vent Plug
10*	Upper Stem	25	Stem Connector, Lower	45**	Soft Seat
11*	Hard Seat Plug	26	Travel Scale	46**	Upper Plug
12	Lower Actuator Case	27	Travel Indicator	47**	Seat Retainer
13	Upper Actuator Case	28	RHMS		
14	Spring	29	HHCS		
15	Diaphragm Plate	30	Fastener Seat		
*	Recommended Spare Parts For Soft Seat Version Only	31	Seal Washer		
**		32	Gland		

Bulletin IM-MK978supp-1221



3170 Wasson Road • Cincinnati, OH 45209 USA  
 Phone 513-533-5600 • Fax 513-871-0105  
 steriflow@richardsind.com • www.steriflowvalve.com

Distributed in the UK by:

Staitech Ltd • Unit 6 • Hope Mill Lane • Stroud • GL5 2SH • UK  
 +44 (0) 1453 882736 • sales@staitech.com • www.staitech.com

