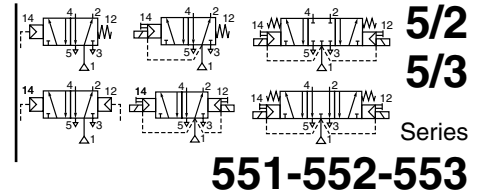




SPOOL VALVES

pilot operated or air operated, spool type
single/dual solenoid or air (mono/bistable function)
aluminium body, 1/4 to 1/2



FEATURES

- The monostable spool valves, series 551, have TÜV certified IEC 61508 Functional Safety data and can be used up to SIL 4/AK 7
- The spool valves 5/2 and 5/3 have threaded port connections
- All the exhaust ports of this spool valve are connectable, providing better environmental protection, particularly recommended for sensitive areas such as clean rooms, and applications in the pharmaceutical and food processing sectors
- The valve offers environmental protection against the ingress of liquids, dusts or any other foreign matter (environmentally-protected construction)
- Epoxy moulded coil for general service applications
- The solenoid valves satisfy all relevant EC Directives

GENERAL

Differential pressure 2 - 10 bar [1 bar = 100 kPa]
Flow (Qv at 6 bar) 1/4 = 860 l/min (5/2) ; 760 l/min (5/3)(ANR)
 3/8 = 3000 l/min (5/2, 5/3)
 1/2 = 3800 l/min (5/2, 5/3)

fluids (*)	temperature range (TS)	seal materials (*)
air, inert gas, filtered	- 25°C to + 60°C	NBR (nitrile) + PUR (polyurethane)

MATERIALS IN CONTACT WITH FLUID

(*) Ensure that the compatibility of the fluids in contact with the materials is verified

Body	Aluminium, black anodized
End covers	Glass-filled PA
Internal parts	Zamak, stainless steel, POM, aluminium
Seals	NBR + PUR
Core and plugnut	Stainless steel
Shading coil	Copper

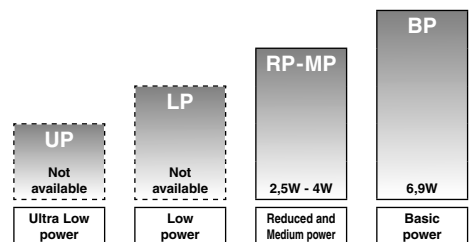
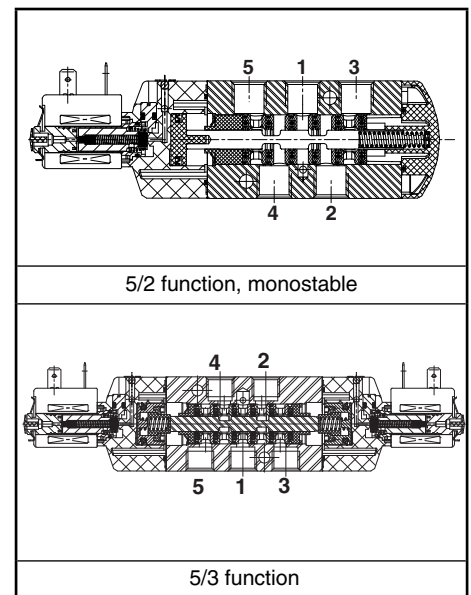
AIR OPERATED SPECIFICATIONS

pipe size	orifice size	flow coefficient kv		operating pressure differential (bar)			prefix option	basic catalogue number
				min.	max. (PS)			
(*)	(mm)	(m³/h)	(l/min)		air (*)			
Air pilot operated - spring return (monostable)								
1/4	6	0,75	12,5	2	10	10	-	❖551A117 ⁽²⁾
3/8	12	2,49	41,5	2	10	10	-	❖552A117
1/2	13	3,15	52,5	2	10	10	-	❖553A117
Air pilot operated and return (bistable)								
1/4	6	0,75	12,5	2	10	10	-	❖551A118
3/8	12	2,49	41,5	2	10	10	-	❖552A118
1/2	13	3,15	52,5	2	10	10	-	❖553A118

PILOT OPERATED SPECIFICATIONS 5/2

pipe size	orifice size	flow coefficient kv		operating pressure differential (bar)			power level	prefix optional solenoids					basic catalogue number
				min.	max. (PS)			ATEX/CENELEC (gas/dust)				IP65	
(*)	(mm)	(m³/h)	(l/min)		air (*)			Ex d	Ex emb	Ex mb	EE x i	SC	
5/2 - Solenoid air pilot operated - spring return (monostable)													
1/4	6	0,75	12,5	2	10	10	RP	-	-	-	-	●	❖551A017 ⁽²⁾
1/4	6	0,75	12,5	2	10	10	MP	-	-	●	-	-	❖551A017 ⁽²⁾
3/8	12	2,49	41,5	2	10	10	BP	-	-	●	-	●	❖552A017
1/2	13	3,15	52,5	2	10	10	BP	-	-	●	-	●	❖553A017
5/2 - Solenoid air pilot operated and return (bistable)													
1/4	6	0,75	12,5	2	10	10	RP	-	-	-	-	●	❖551A018
1/4	6	0,75	12,5	2	10	10	MP	-	-	●	-	-	❖551A018
3/8	12	2,49	41,5	2	10	10	BP	-	-	●	-	●	❖552A018
1/2	13	3,15	52,5	2	10	10	BP	-	-	●	-	●	❖553A018

❖ Select 8 for NPT ANSI 1.20.3 or select G for ISO G (228/1) ● Available feature - Not available
⁽²⁾ Certified IEC 61508 Functional Safety data, use suffix "SL".



POWER LEVELS - cold electrical holding values (watt)

PILOT OPERATED SPECIFICATIONS 5/3

pipe size	orifice size	flow coefficient kv (m³/h) (l/min)		operating pressure differential (bar)			power level	prefix optional solenoids					basic catalogue number
				min.	max. (PS)			ATEX/CENELEC (gas/dust)				IP65	
					air (*)			EEx d	EEx em	EEx m	EEx i		
❖	(mm)	(m³/h)	(l/min)		~	=	~/=			PV		SC	
5/3 - W1 - pressure held, solenoid air pilot operated and return													
1/4	6	0,66	11	2	10	10	RP	-	-	-	-	●	❖551A067 ⁽¹⁾
1/4	6	0,66	11	2	10	10	MP	-	-	●	-	-	❖551A067 ⁽¹⁾
3/8	12	2,49	41,5	2	10	10	BP	-	-	●	-	-	❖552A067
1/2	13	3,15	52,5	2	10	10	BP	-	-	●	-	-	❖553A067
5/3 - W3 - pressure release, solenoid air pilot operated and return													
1/4	6	0,66	11	2	10	10	RP	-	-	-	-	●	❖551A068
1/4	6	0,66	11	2	10	10	MP	-	-	●	-	-	❖551A068
3/8	12	2,49	41,5	2	10	10	BP	-	-	●	-	-	❖552A068
1/2	13	3,15	52,5	2	10	10	BP	-	-	●	-	-	❖553A068

❖ Select **8** for NPT ANSI 1.20.3 or select **G** for ISO G (228/1) ● Available feature - Not available
⁽¹⁾ Certified IEC 61508 Functional Safety data, use suffix "SL".

PREFIX TABLE

prefix							description	power level			
1	2	3	4	5	6	7		LP	RP	MP	BP
S	C			D	U		Dustproof ATEX (EN 50281-1-1)*	-	●	-	●
P	V						Encapsulated ATEX (EN 60079 / 61241)*	-	-	●	●
S	C						Solenoid with spade plug connector (EN 60730)	-	●	-	●
						X	Other special constructions	-	●	-	●

SUFFIX TABLE

suffix					description	power level			
1	2	3	4	5		LP	RP	MP	BP
	G	D			Non-electrical, 2 GD c, construction safety, gas/dust-ATEX (EN 13463-5)	-	-	-	-
			M	S	Screw type manual operator	-	●	●	●
	S	L			Certified IEC 61508 Functional Safety data ⁽²⁾	-	●	●	●

● Available feature
 - Not available
 * ATEX solenoids are also approved according to EN/IEC 61241 (Dust) and EN 13463-1 (non electrical valves)
⁽²⁾ Not to use with MS suffix

PRODUCT SELECTION GUIDE

STEP 1

Select the fluid temperature range and seal material from the general table on page 1. Select basic catalogue number, including pipe thread identification letter. Refer to the specifications table on pages 1 and 2.

Example : G551A017

STEP 2

Select prefix (combination). Select the appropriate operator from the specifications table on page 1 and the prefix table on page 2. Select for this operator in the electrical characteristics table on page 3: the power level (RP, MP, BP), the type of electrical enclosure protection and the desired temperature class. The air operated version is without prefix.

Warning: The ambient temperature range of your application may not exceed the temperature range of your operator.

Do not use prefixes for air operated versions.

Example : PV

STEP 3

Select suffix (combination) if required. Suffix GD only applies for the air operated versions, do not use suffix MS.

Example : MS

STEP 4

Select voltage. Refer to standard voltages on page 3.

Example : 230V / 50Hz

STEP 5

Final catalogue / ordering number.

Example :

PV G551A017MS 230 V / 50 Hz

OPTIONS & ACCESSORIES

series	pipe size	exhaust protector (stainless steel)		
		(G)	(NPT)	(M)
551	1/4	34600419 ⁽³⁾	34600483 ⁽³⁾	-
552	3/8	34600478	34600480	-
553	1/2	34600479	34600481	-
551/552/553	M5	-	-	34600484 ⁽³⁾

⁽³⁾ Provided with "SL" suffix.

ORDERING EXAMPLES:

SC	G	551	A	017	MS	230V / 50 Hz
SCDU	G	551	A	018		115V / 50 Hz
PV	8	551	A	018		115V / 50 Hz
SC	G	552	A	017	MS	24V / DC
	G	553	A	118		
	G	551	A	118	GD	
	G	551	A	117	GD SL	
	SC	G	551	A	017	SL

prefix — pipe thread — basic number — voltage — suffix